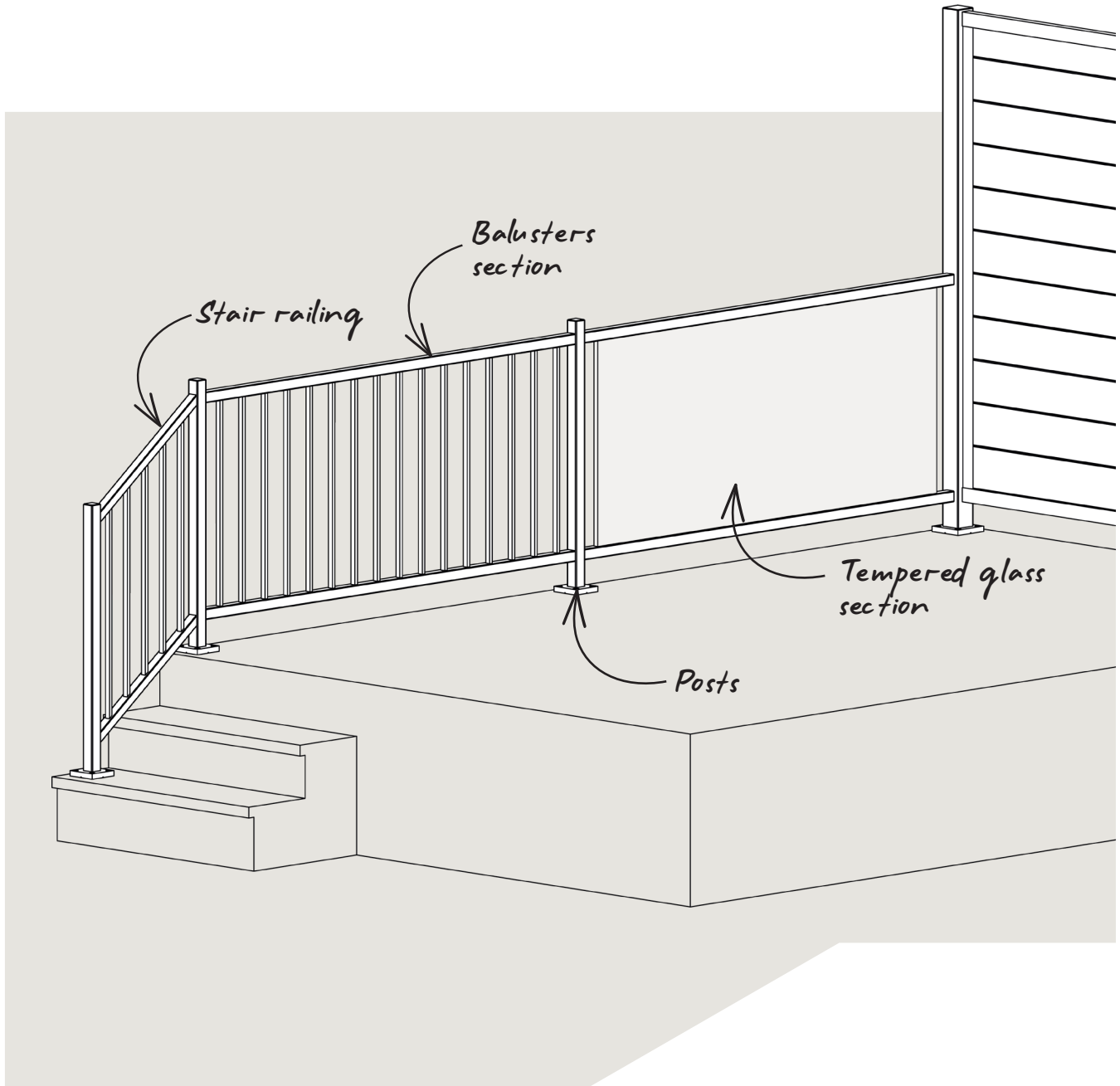




Simple now
Simple for years



Installation Guide

See how
it's **simple**
to install →



simplekleco.com

Congratulations on your purchase of outdoor railings!
 You've made a sustainable and maintenance-free choice. This guide will show
 you, step-by-step, how to secure your balcony and stair railing!

Table of contents

Installation Guide

Balusters and posts	3
Standard length method	11
Cut-to-length method	13
Tempered glass section	10
Balusters stair railing	17
In-stock balusters stair railing	18
Custom made baluster stair railing	26
Door-gate.....	31

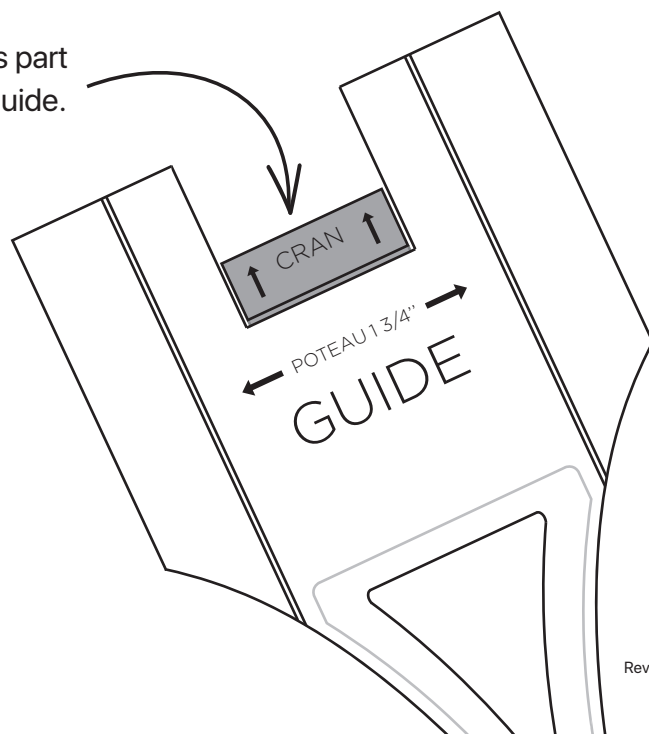


IMPORTANT: Kléco don't handle the installation. The installer must follow the instructions and use the tools indicated in this guide, while complying with local building codes.



WARNING: Exercise extreme caution when using power tools. Don't forget to wear your security glasses!

DON'T cut this part
of the yellow guide.



**Some questions?
 Call us!**

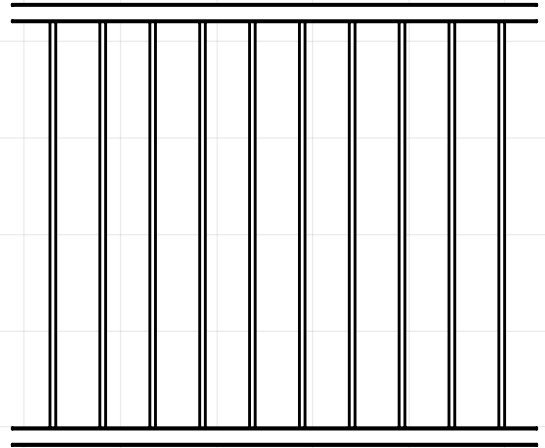
1 888 994-3130

Installation Guide

3" and 1 3/4" posts



Balusters section



Required tools

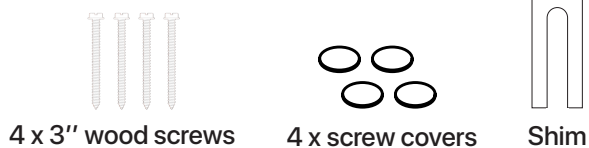
- Drill
- Hex impact driver bit
- 3/8" drill bit
- Clear silicone
- Level

Required tools

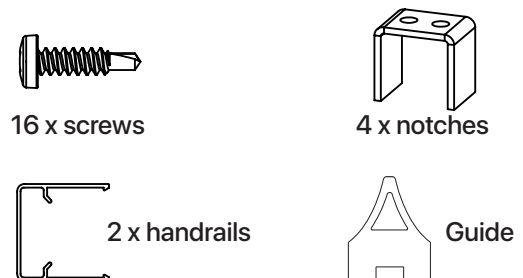
- Drill
- Square impact driver bit
- +/- 3/8" drill bit
- Tape measure
- Miter saw, wood or metal blade
- Pencil
- Level

* IMPORTANT ! Do not use Impact drill.

Hardware included



Hardware included



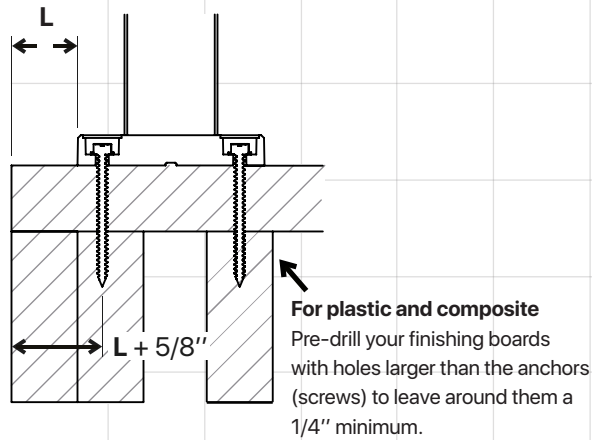
For concrete, we recommend using Tapcon 1/4" stainless concrete screws

Step 1

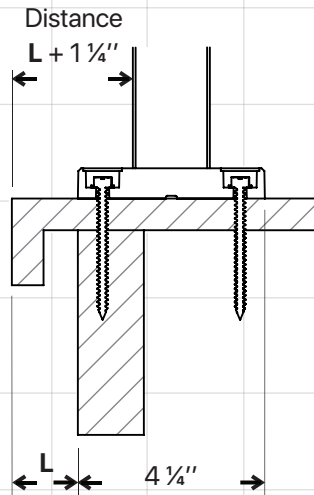
Plan the installation of the posts according to your structure to ensure its solidity.

1 3/4" post

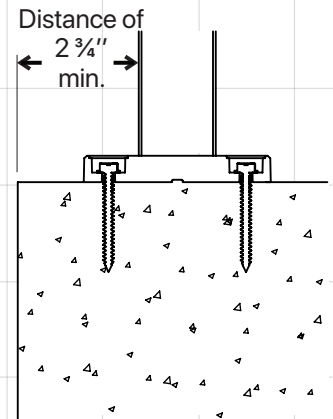
Wood, plastic or composite



Fiberglass

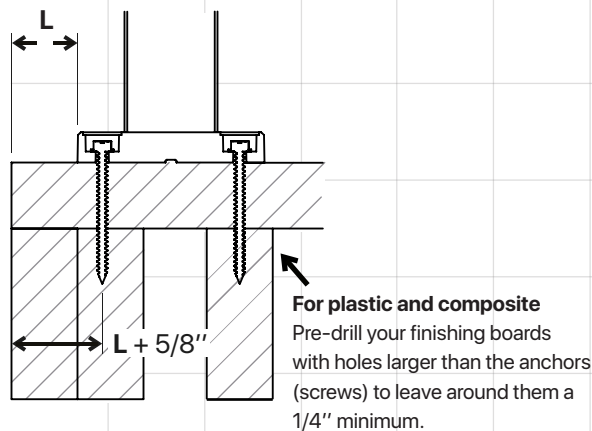


Concrete

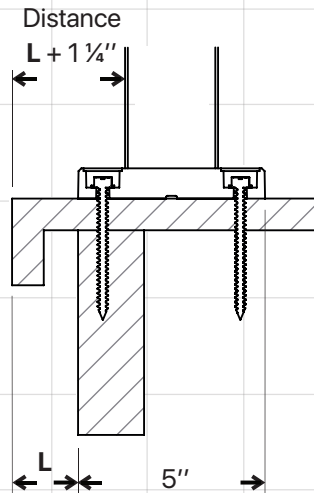


3" post

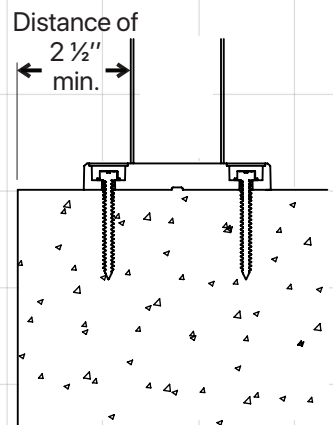
Wood, plastic or composite



Fiberglass



Concrete



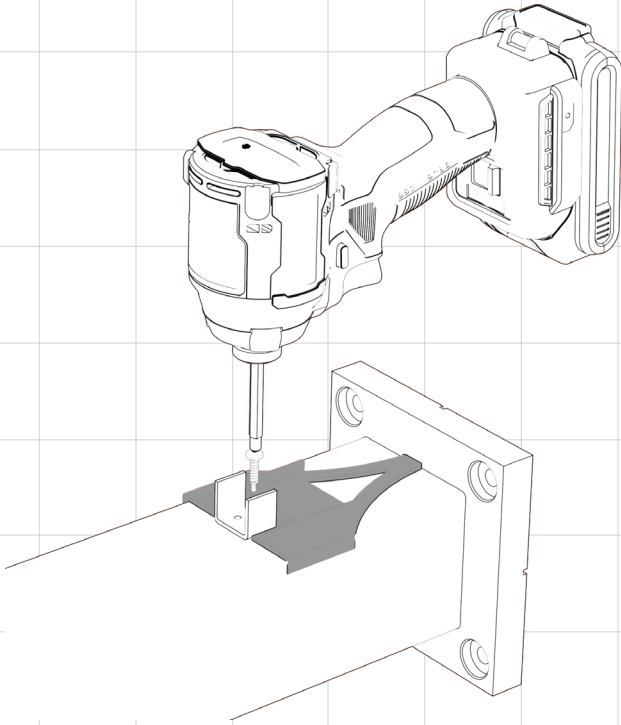
Make sure you have a screw backing of 3" or more for the base screws.
It is strongly recommended not to fix the posts only in the floor board.



The screws provided are only intended for installations in wood structure.
For any other structure, screws must be purchased separately.

Step 2

Install the notches in the bottom of your post using the yellow guide included in your package.



Custom Railing section

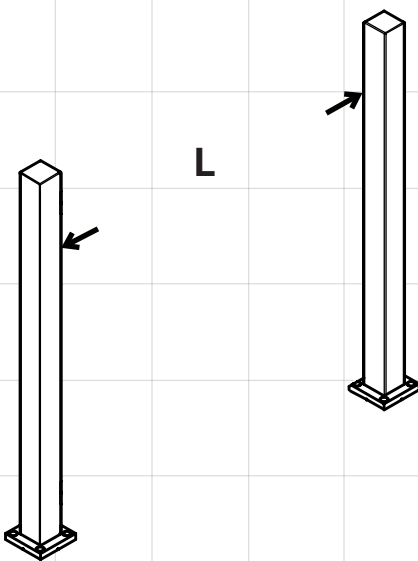
The installation of the custom balusters section is different. The notches are integrated, like the glass section (see step 1 on page 11).

To ensure the correct installation height, place a 4 3/8" block of wood under the section. The yellow guide will not be necessary in this case.

After screwing the section to the posts, go directly to step 7 on page 7.

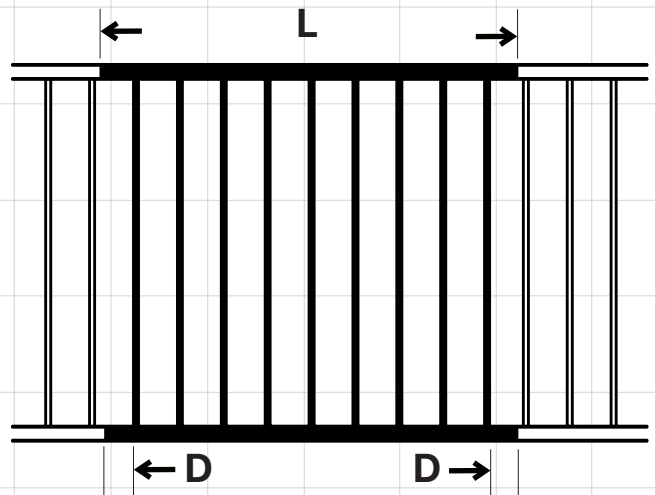
Step 3

Place your posts on the balcony, measure the distance between them (L) to determine the length of your balusters section.



Step 4

Use the measurement (L) from step 3 to mark your cutting lines on your section, then cut each end with a miter saw.



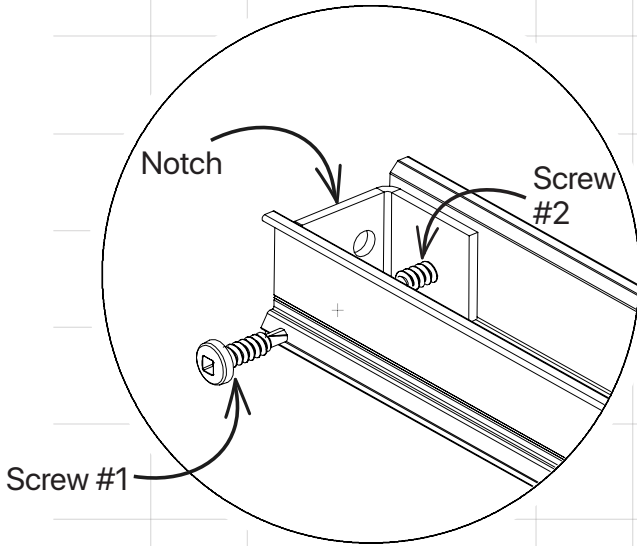
Make sure the distance (D) between the end of the railing and the first baluster is equal on both sides for a symmetrical look.



WARNING: It is not recommended to secure the posts yet.

Step 5

Install a notch at each end of the railing with 2 screws (attach the top of the railing first).



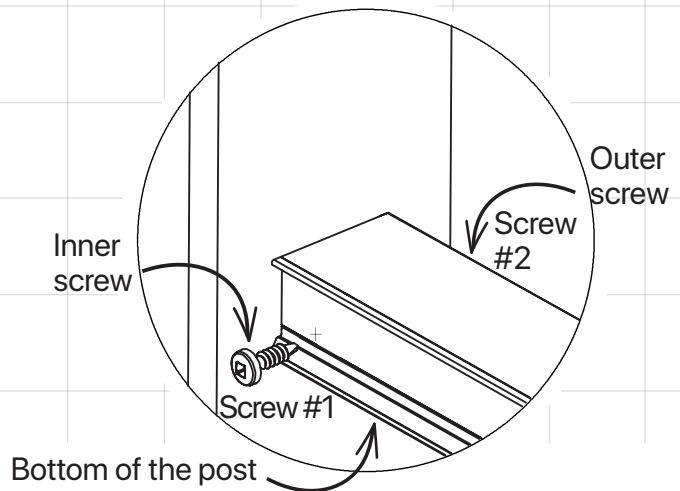
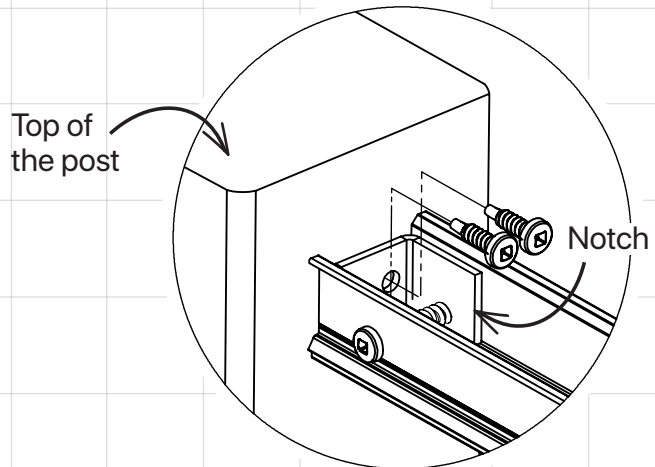
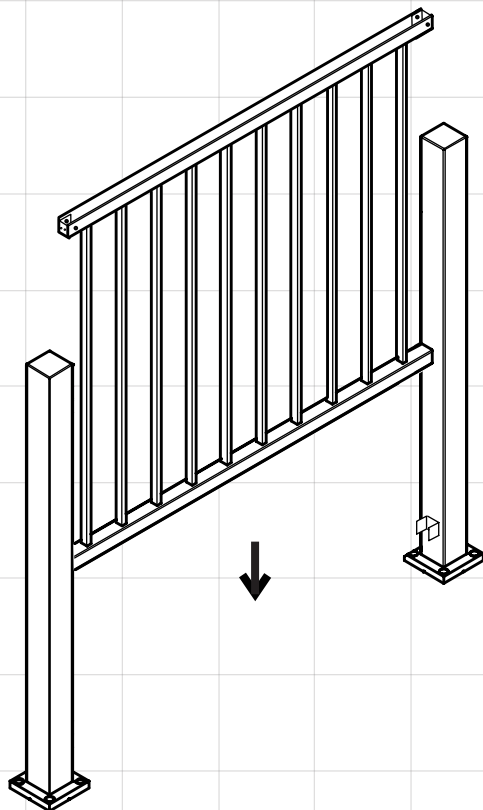
Important!

We suggest screwing the notch 1/16" from the edge and slightly towards the inside of the railing.

It's important to install your screws towards the bottom of the notch so as not to obstruct the space that will allow you to fasten your railing to the posts. Watch your fingers!

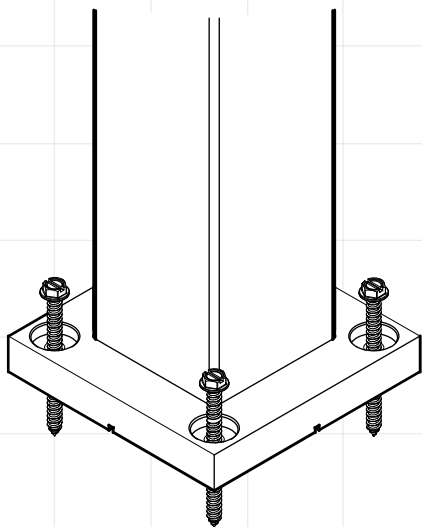
Step 6

Position your railing section using the notches already fixed to the bottom of your posts. Then fasten the top section to the post with 2 screws and, finally, fasten the bottom section of the railing to the notches at the bottom of the posts.



Step 7

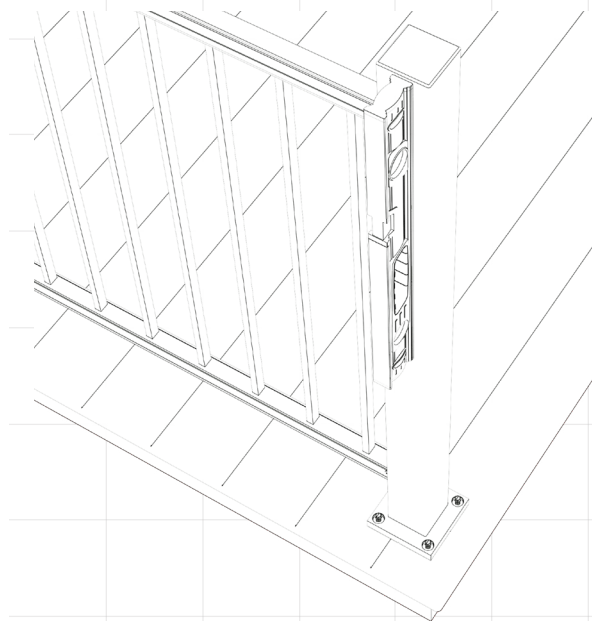
Place each post in its future location on the balcony. Screw the base of the post.



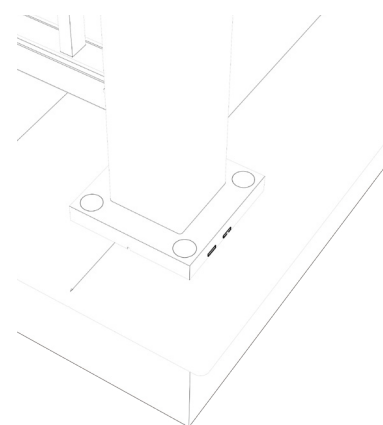
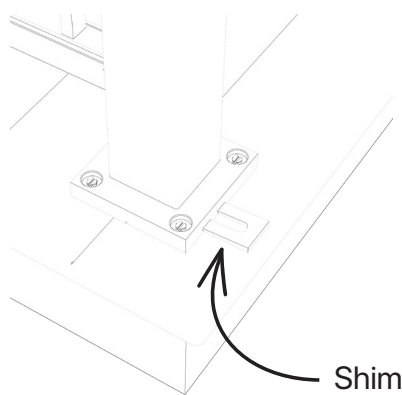
Refer to **step 1** before screwing in your base.

Step 8

Ensure the posts are perfectly straight with a level.



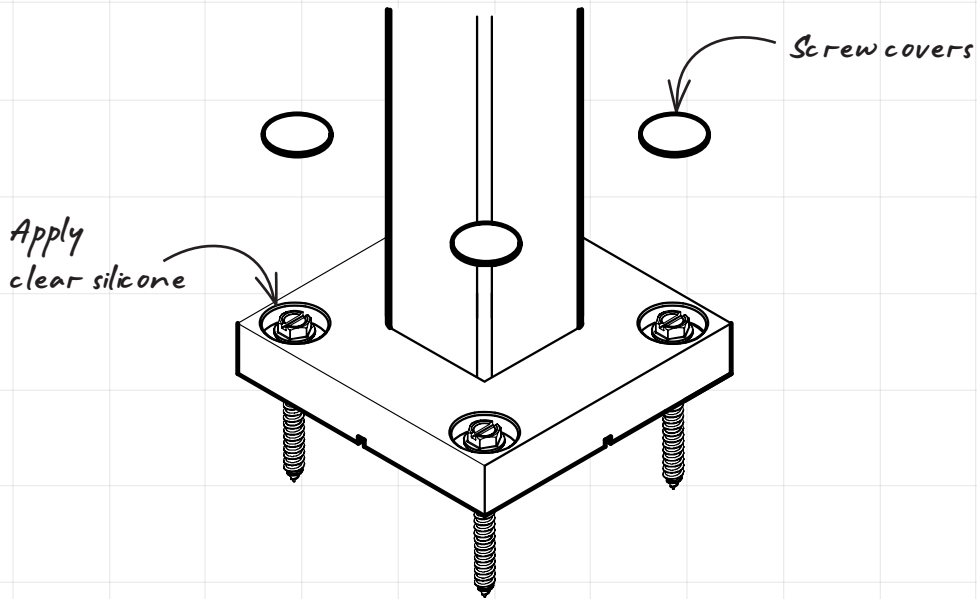
If it's not the case, slightly unscrew. Insert a shim under the base until the post is straight. **Break it** and it's done!



When your post is straight, tighten the screws.

Step 9

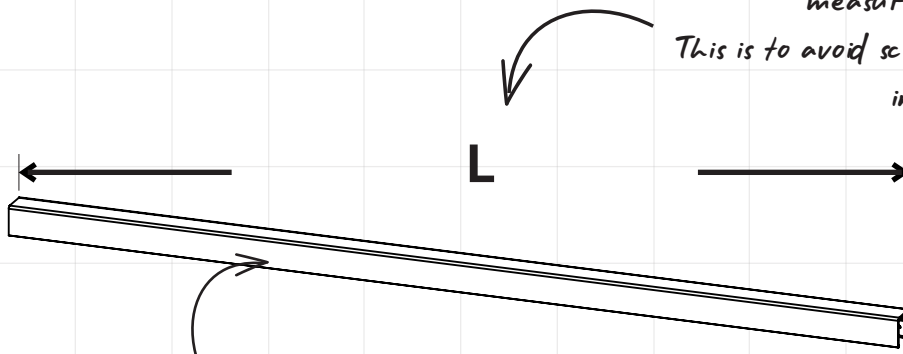
Fill the screw holes in the base with clear silicone to glue the screw covers in place.



Step 10

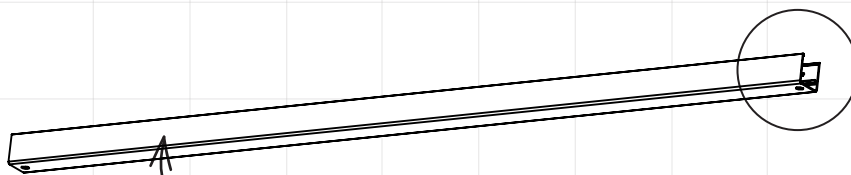
Cut handrails.

Cut your handrails 1/16" shorter than your "L" measurement in step 3. This is to avoid scratching the posts during installation.



Top handrail

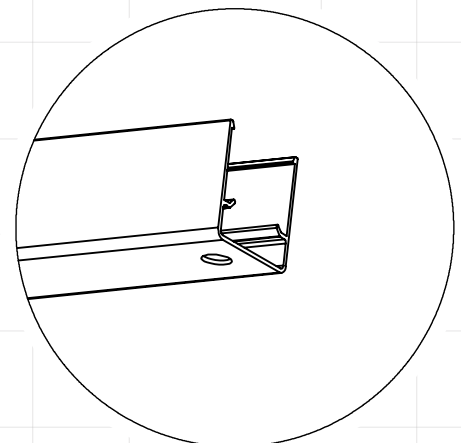
WARNING: Do not make holes!



Bottom handrail

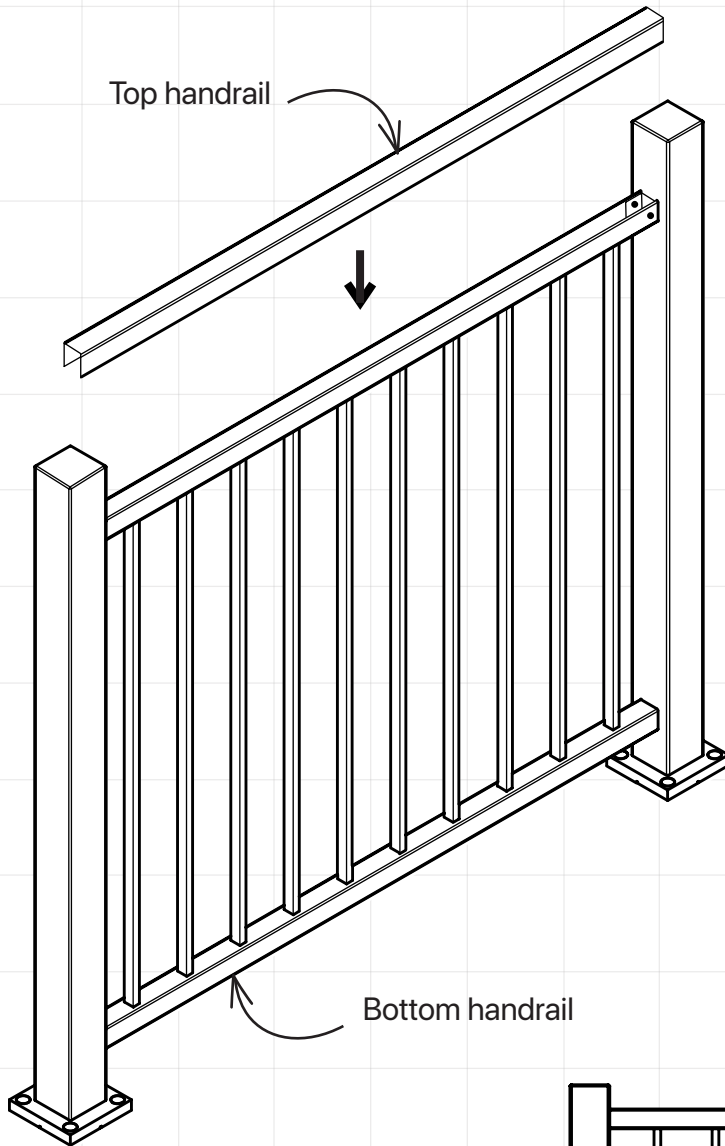
WARNING: Drill small holes at each ends!

Drill two small holes of minimum 3/8" in the bottom handrails to allow for water drainage.

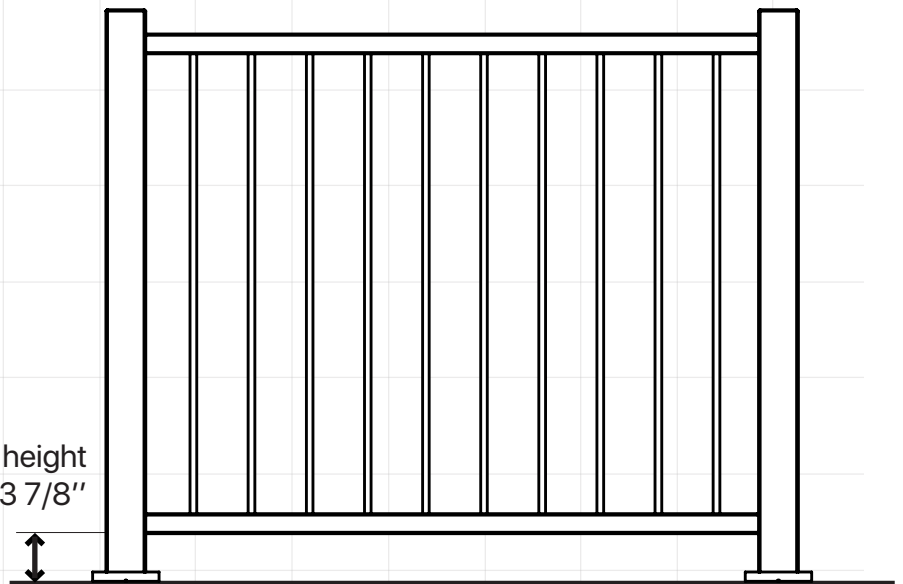


Step 11

Insert handrails into the top and bottom of the section.



Final height
37/8"



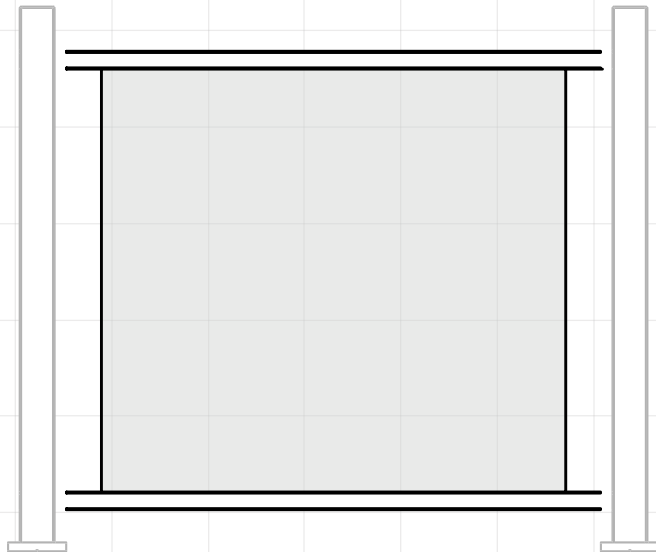
Installation Guide

Tempered glass section



WARNING !

Carry the glass section by holding the glass panel, not the handrails.



Required tools

- Drill
- Square impact driver bit
- +/- 3/8" drill bit
- Tape measure
- Miter saw, wood or metal blade
- Pencil
- Level

* IMPORTANT ! Do not use Impact drill.

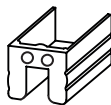
Included hardware



16 x screws



2 x handrails



4 x notches*

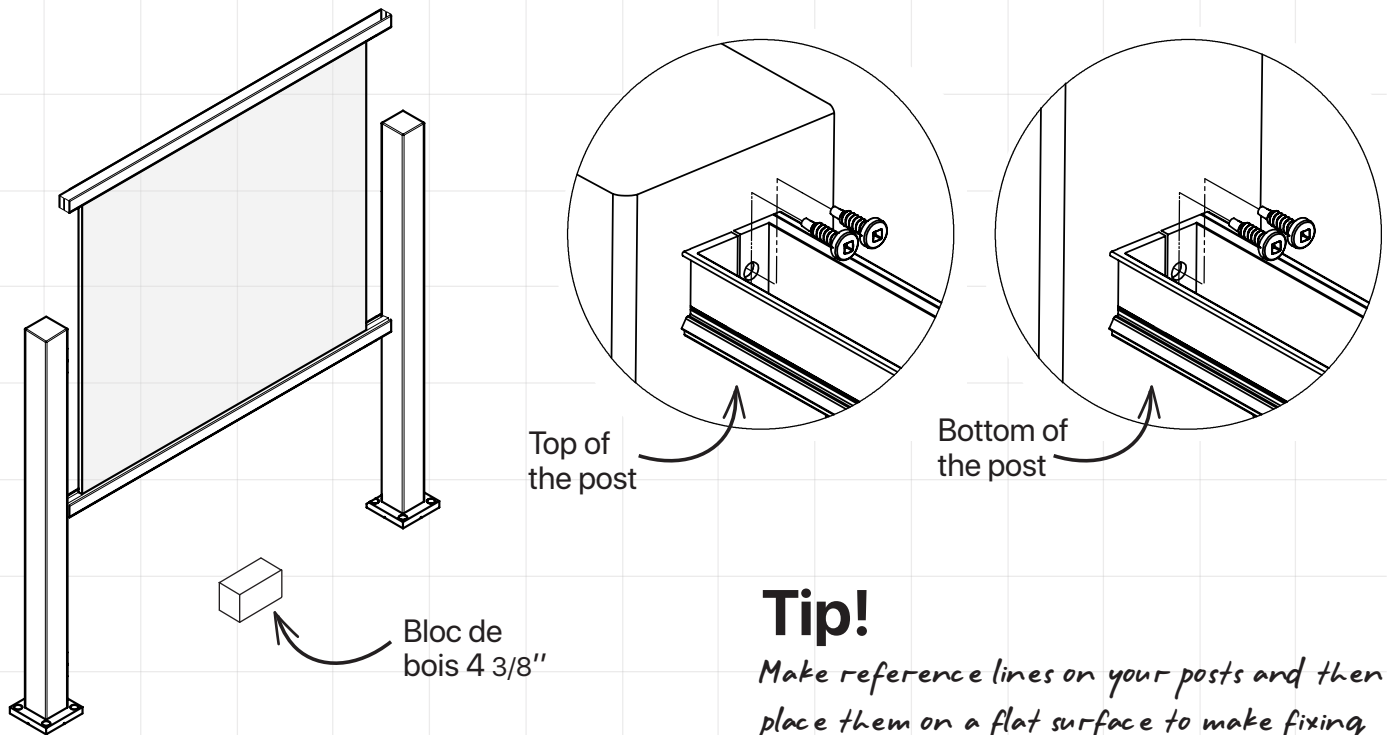
Necessary only if you need to cut the railing.

No-cut method

Step 1

Install the bottom of the glass railing in the bottom of the posts using the yellow guide. Then install the top of the glass railing to the posts.

WARNING!
If you need to cut your section before installation, refer to page 13

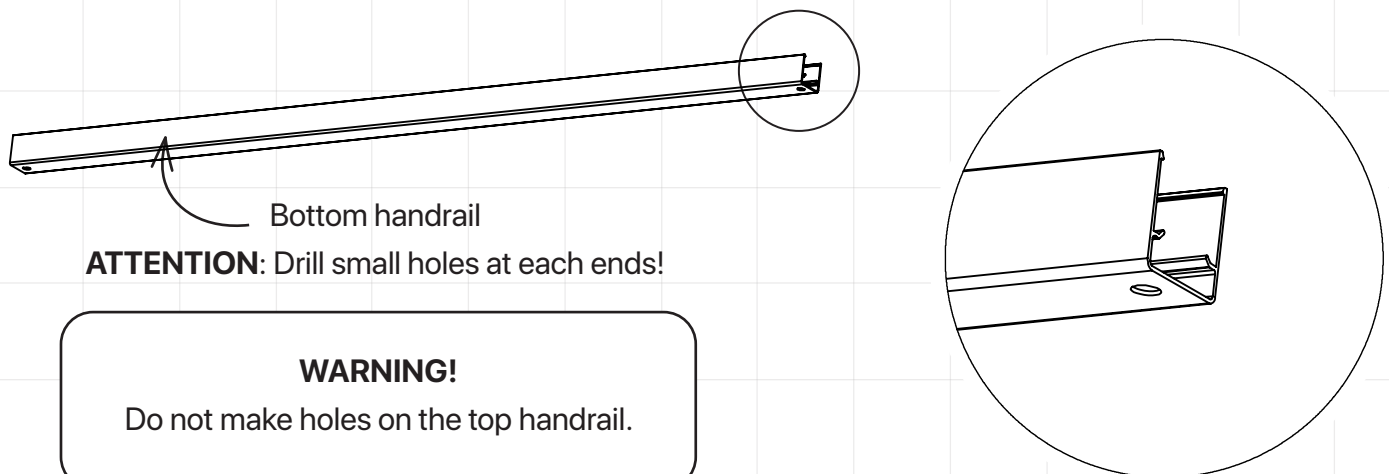


Tip!

Make reference lines on your posts and then place them on a flat surface to make fixing easier.

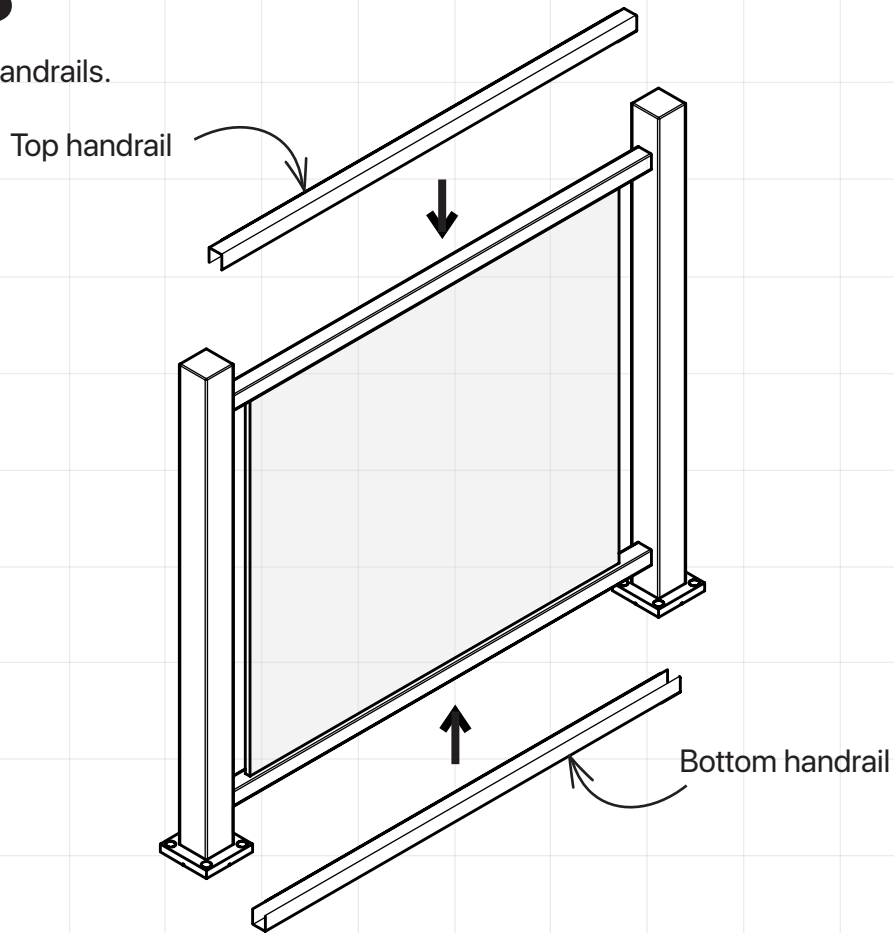
Step 2

Drill two small holes of minimum 3/8" in the bottom handrails to allow for water drainage.



Step 3

Install finishing handrails.

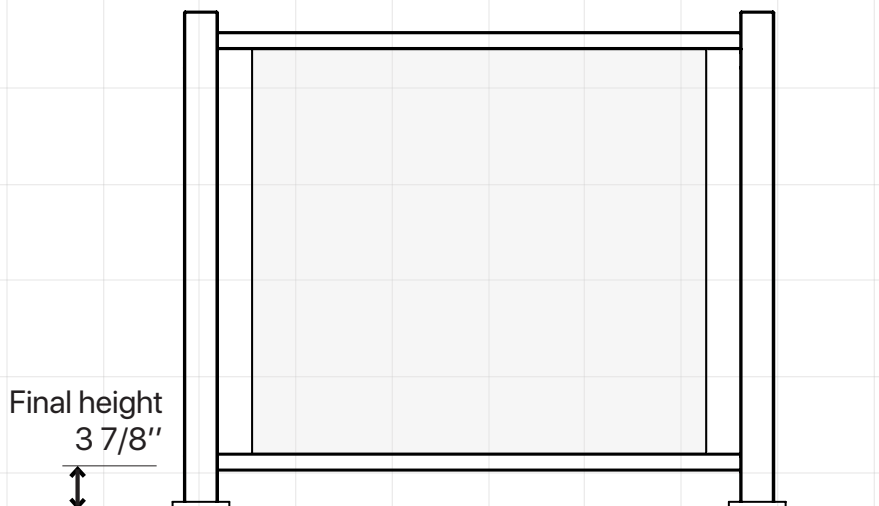


Step 4

Place your railing section in the right place on your balcony. Screw the base. For installation, refer to steps 7, 8 and 9 on pages 7 and 8.



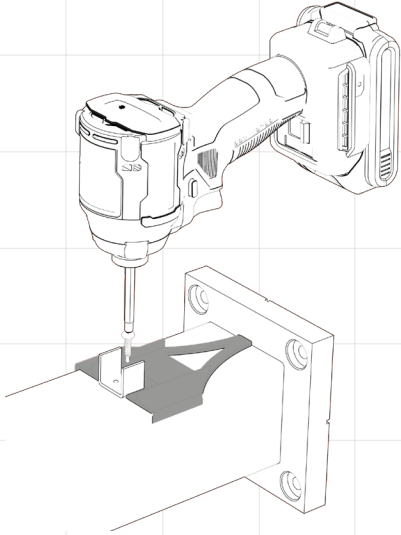
Once again, refer to **step 1** on page 4 before permanently screwing your base in place.



Method with cut

Step 1

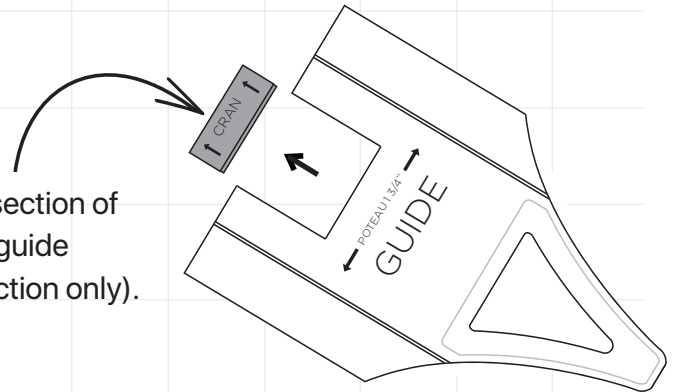
Install the notches in the bottom of your post using the yellow guide included in your package.



ATTENTION!

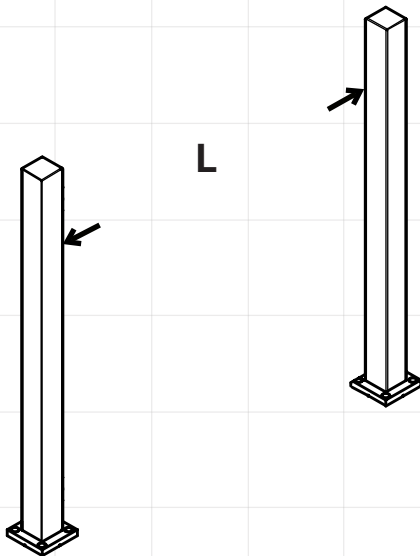
You must follow these steps only if you need to adjust the length of the tempered glass section.

Cut the small section of the yellow guide (for the glass section only).



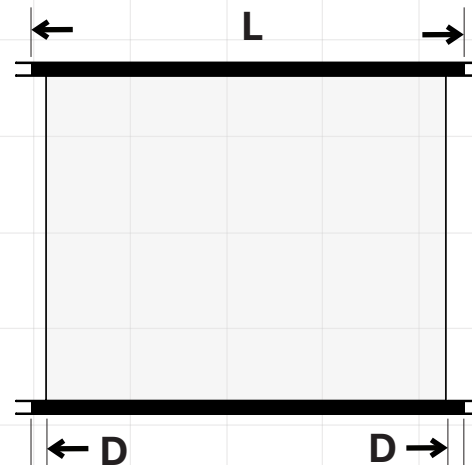
Step 2

Place your posts on the balcony, measure the distance between them (**L**) to determine the length of your glass section.



Step 3

Use the measurement (**L**) from step 2 to mark your cutting lines on your section, then cut each end with a miter saw.



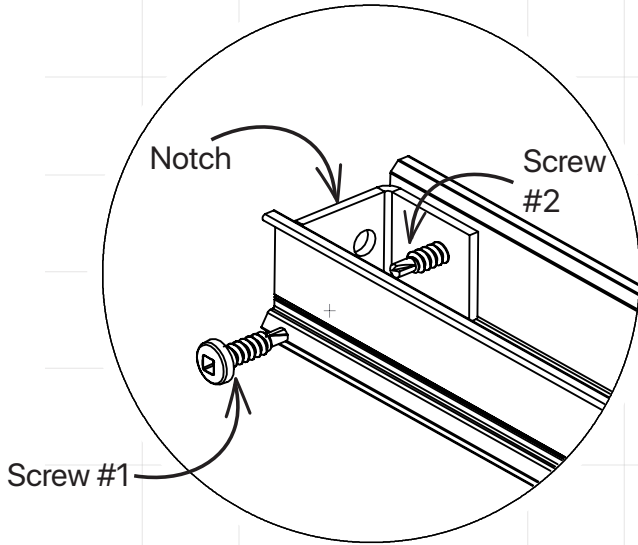
WARNING: It is not recommended to fasten the posts yet. Make sure you keep the glass railing secure so it doesn't fall.



WARNING: You cannot cut more than 1" at each end. Make sure the distance (**D**) is the same at each end for a symmetrical look.

Step 4

Install a notch at each end of the railing with 2 screws (ensure the top of the railing first).



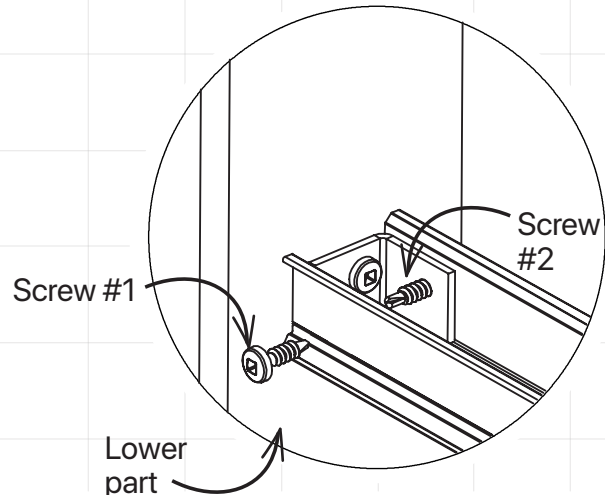
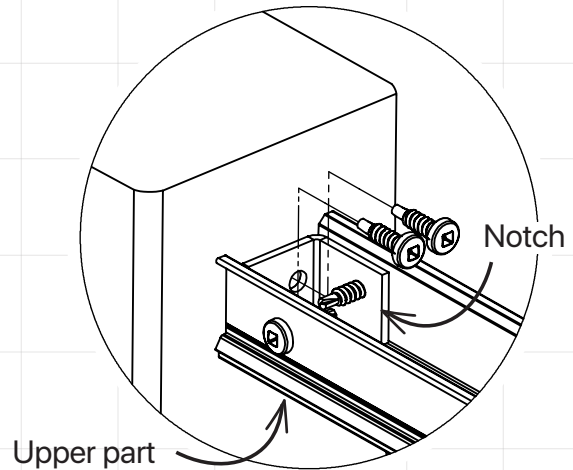
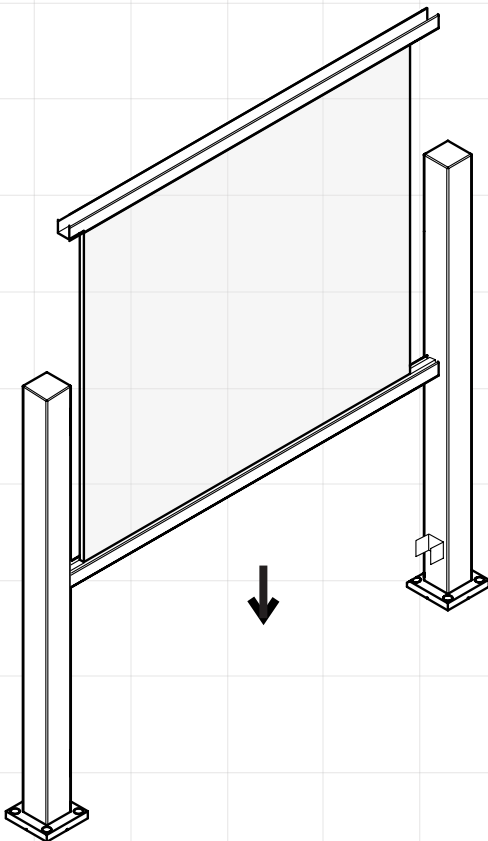
Important!

We suggest screwing the notch 1/16" from the edge and slightly towards the inside of the railing.

It's important to install your screws towards the bottom of the notch so as not to obstruct the space that will allow you to fasten your railing to the posts. Watch your fingers!

Step 5

Position your railing section using the notches already fixed to the bottom of your posts. Then fasten the top section to the post with 2 screws and, finally, fasten the lower part of the railing to the notches at the bottom of the posts.

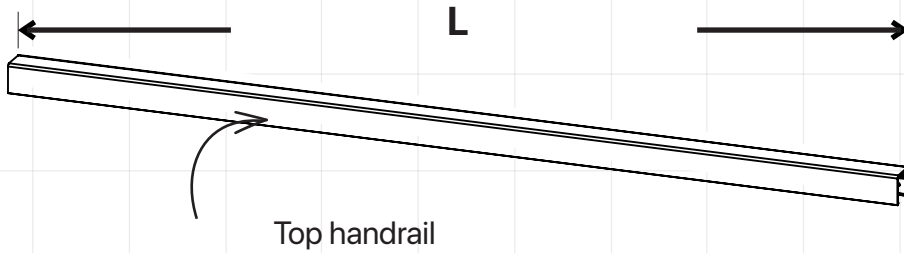


Step 6

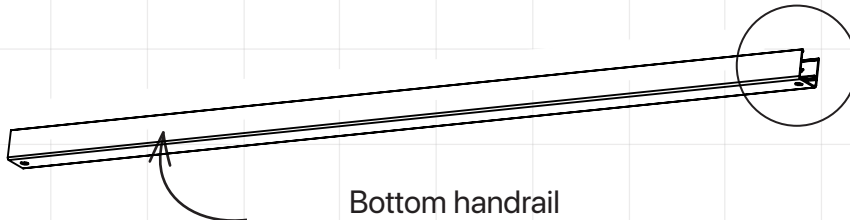
Cut the handrails.

Cut your handrails 1/16" shorter than your "L" measurement in step 2.

This is to avoid scratching the posts during installation.

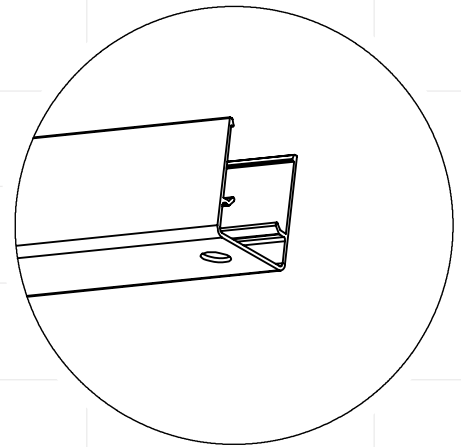


WARNING: Do not make holes on the top handrail!



ATTENTION: Drill small holes at each ends!

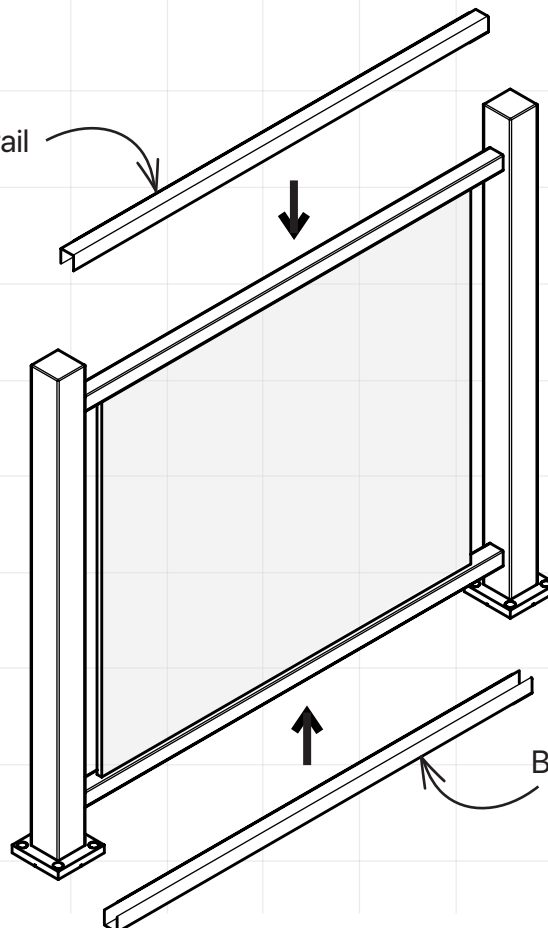
Drill two small holes of minimum 3/8" in the bottom handrails to allow for water drainage.



Step 7

Install the handrails.

Top handrail



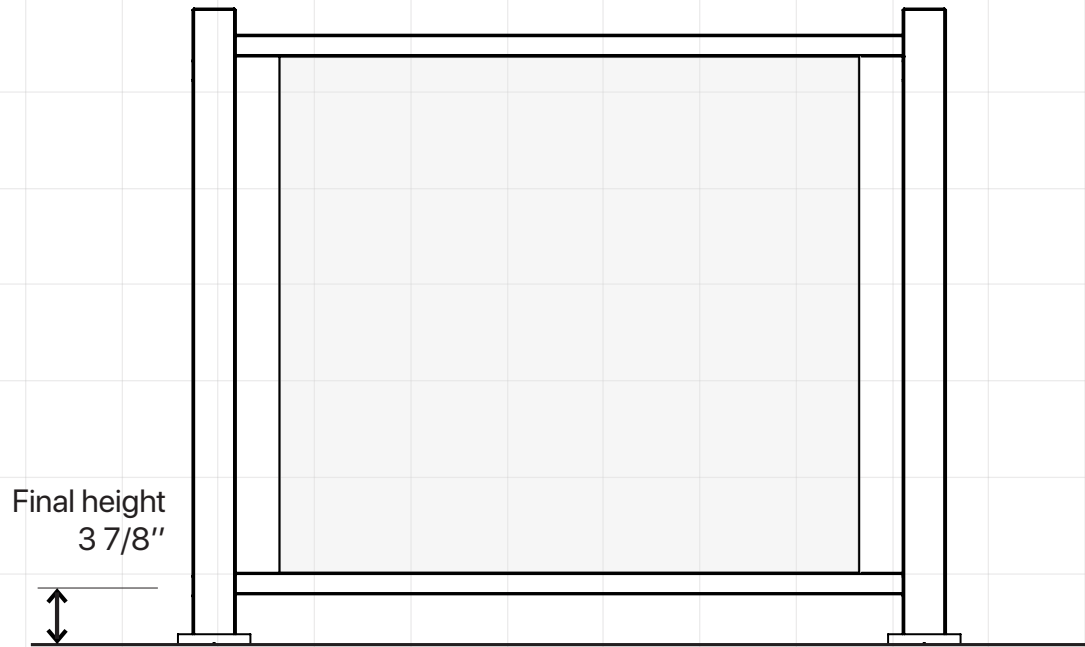
Bottom handrail

Step 8

Place your railing section at the right place on your balcony. Screw the base.
For installation, refer to steps 7, 8 and 9 on pages 7 and 8.

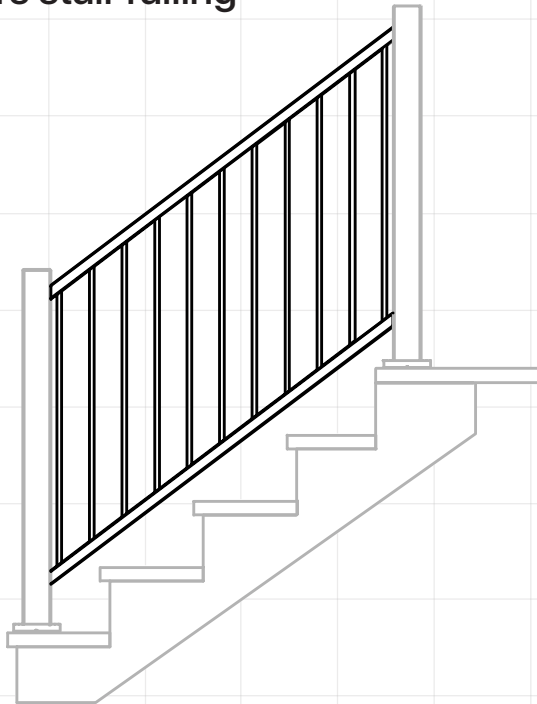


Once again, refer to **step 1** on page 3
before permanently screwing your base in place.



Installation Guide

Balusters stair railing



Tip!

It is strongly recommended that two people be involved in the installation.

In-stock balusters stair railing



Required tools

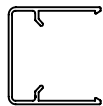
- Drill
- Square impact driver bit (4" Ideally)
- Tape measure
- Miter saw, wood or metal blade
- Pencil
- Level

* IMPORTANT ! Do not use Impact drill.

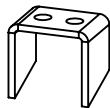
Hardware included



18 x screws



2 x handrails



4 x notches

Custom made balusters stair railing

See page 26



Required tools

- Drill
- Square impact driver bit
- Tape measure
- Pencil
- 2 Bar Clamp

Hardware included



12 x screws



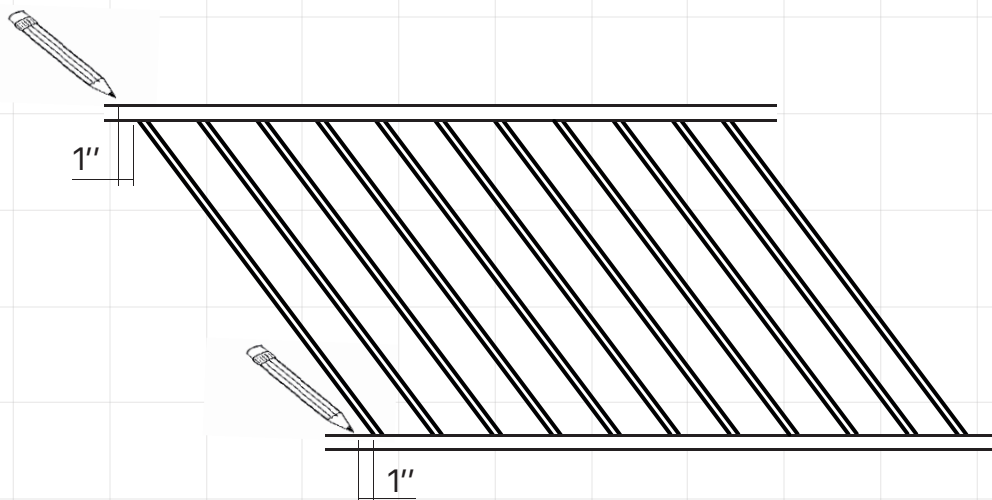
2 x hooks

In-Stock Balusters Stair Railing Installation

WARNING!
For custom made balusters stair railing installation, refer to page 26.

Step 1

Draw a line about 1" from the first baluster, at one end only.

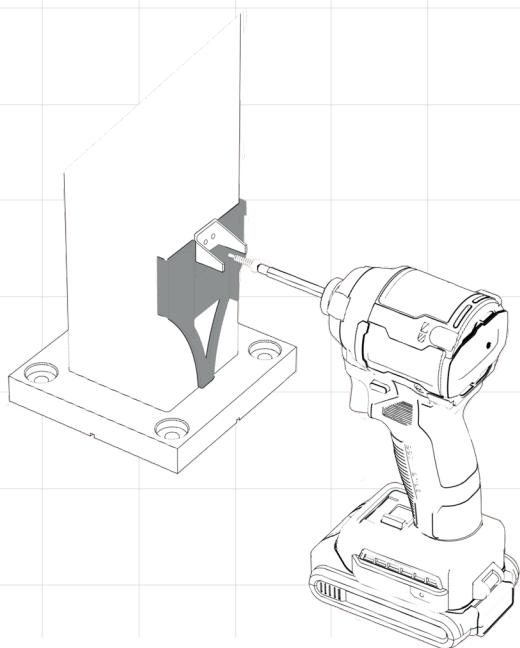


Step 2

Set your miter saw angle to 37 degrees.
Cut your section, referring to the lines drawn in the **step 1**.

Step 3

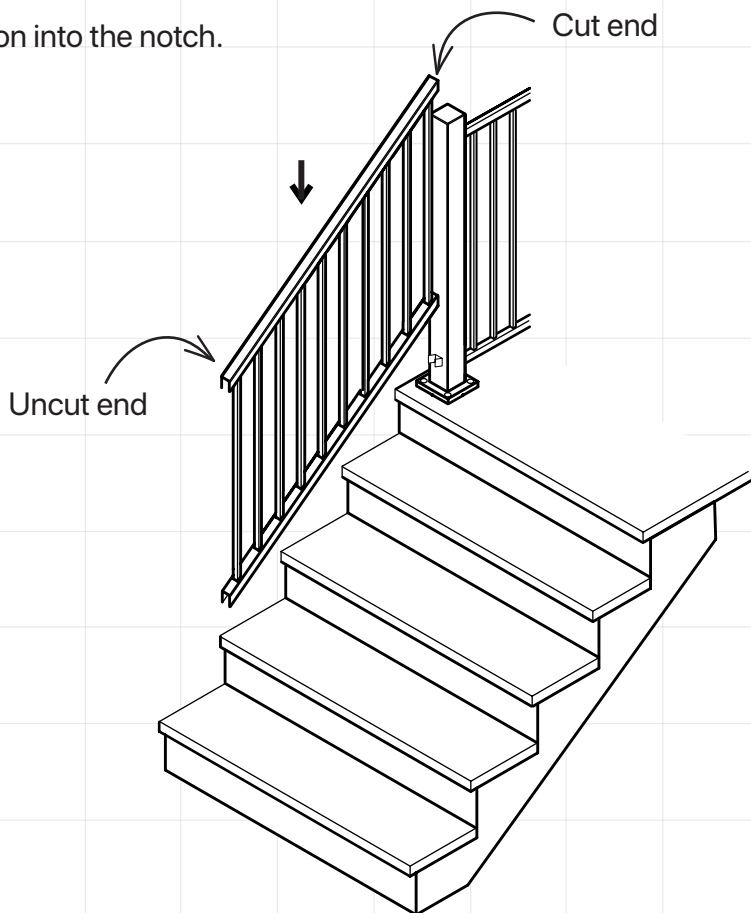
Using the yellow guide, install the notch to the bottom of your post, which is located at the top of your stair.



If you don't have a yellow guide, you can use a 3 3/4" block of wood to determine the installation height of the notch. Make sure the notch is centered on the post.

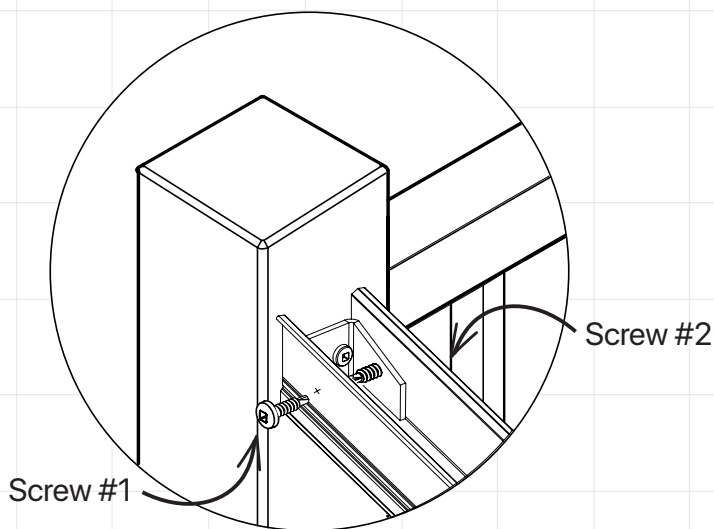
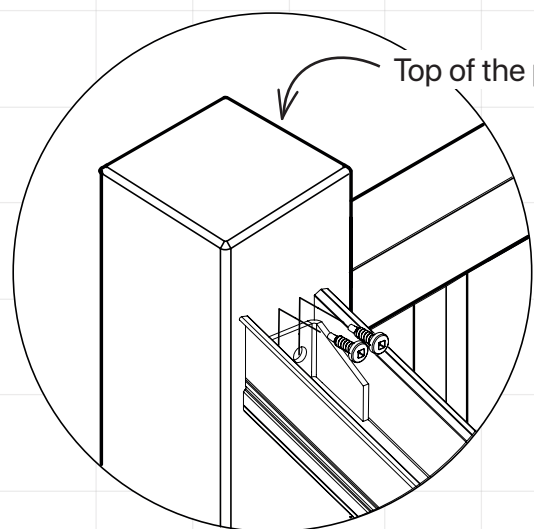
Step 4

Insert the section into the notch.



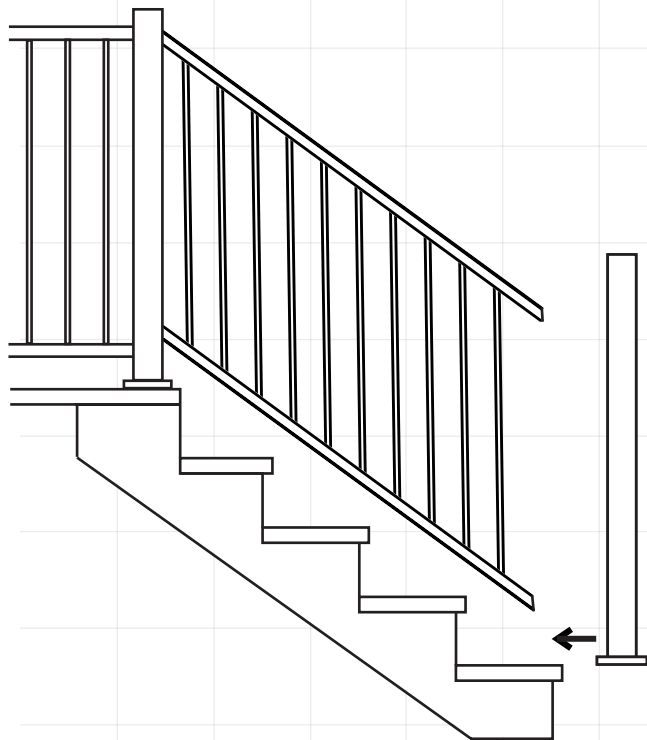
Step 5

Position a notch at the top of the section and screw it to the post. Then screw the top of the section to the notch.



Step 6

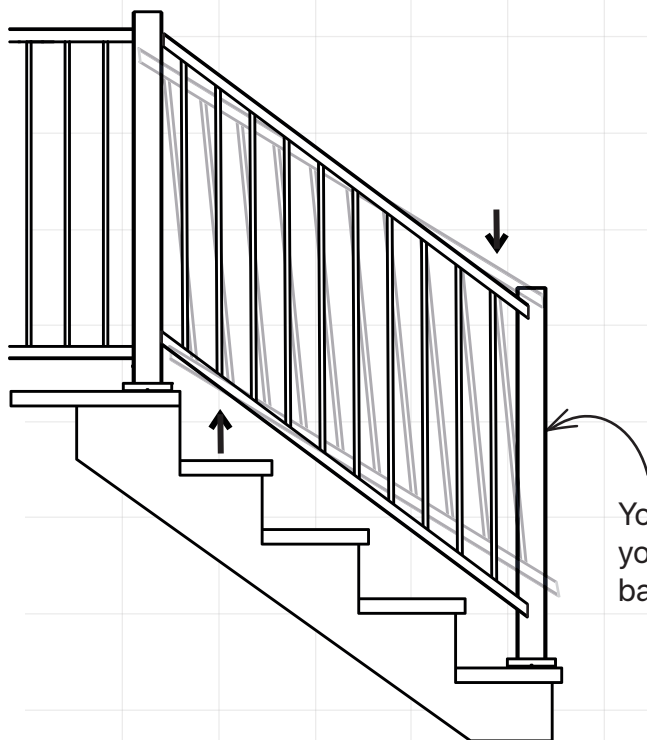
Place your post on the bottom step about 1" or 1 ½" from the edge of the step.



Do not screw the base of the post at this step.

Step 7

Find the right angle by "deracking" the section up and down.



The stair railing automatically has an angle of 37 degrees but is adjustable from 35 to 41 degrees.

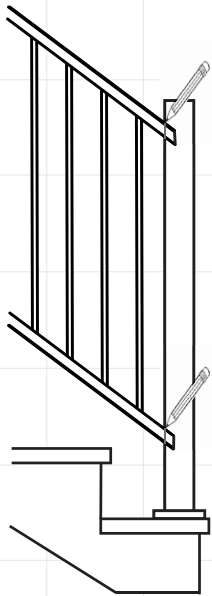
You may need to slightly change the position of your post to adjust the distance between the last baluster and the post.

Tip!

If the balusters have become loose after handling your section in step 8, we recommend applying a little silicone (Flextra type) under the balusters' fins located inside the handrail.

Step 8

Draw a line on the top and bottom handrail, this way you will have your cutting line.



Important!

Your cutting angle may not be the same as when you started

Step 9

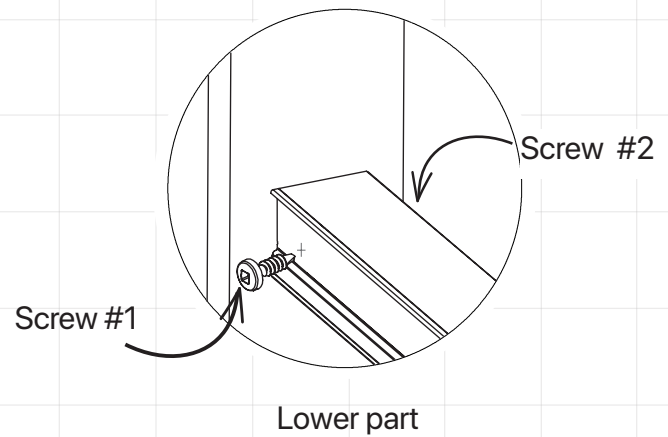
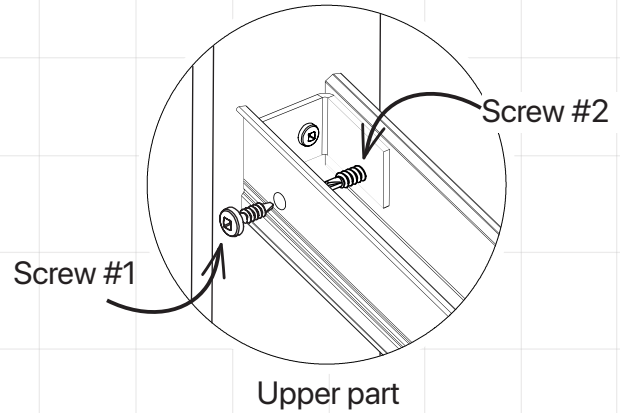
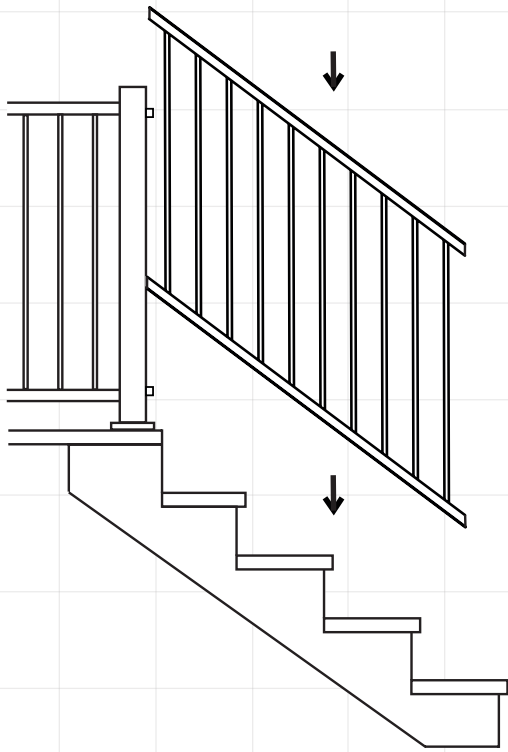
Set the post aside. Unscrew the top notched section on the top staircase.

Step 10

Cut the section along the lines drawn in step 8.

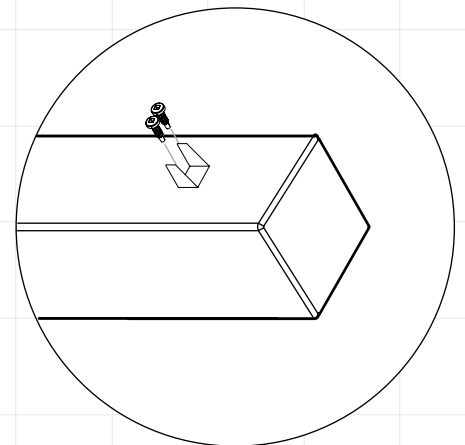
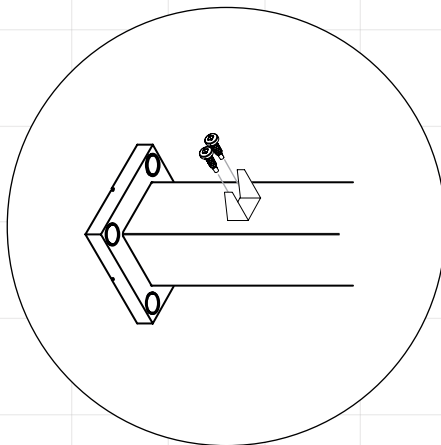
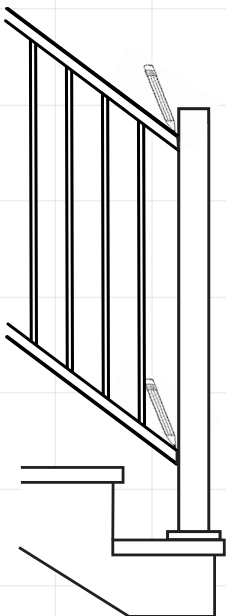
Step 11

Reinsert your section into the notches already installed. Screw the top and bottom of the section to the notches.



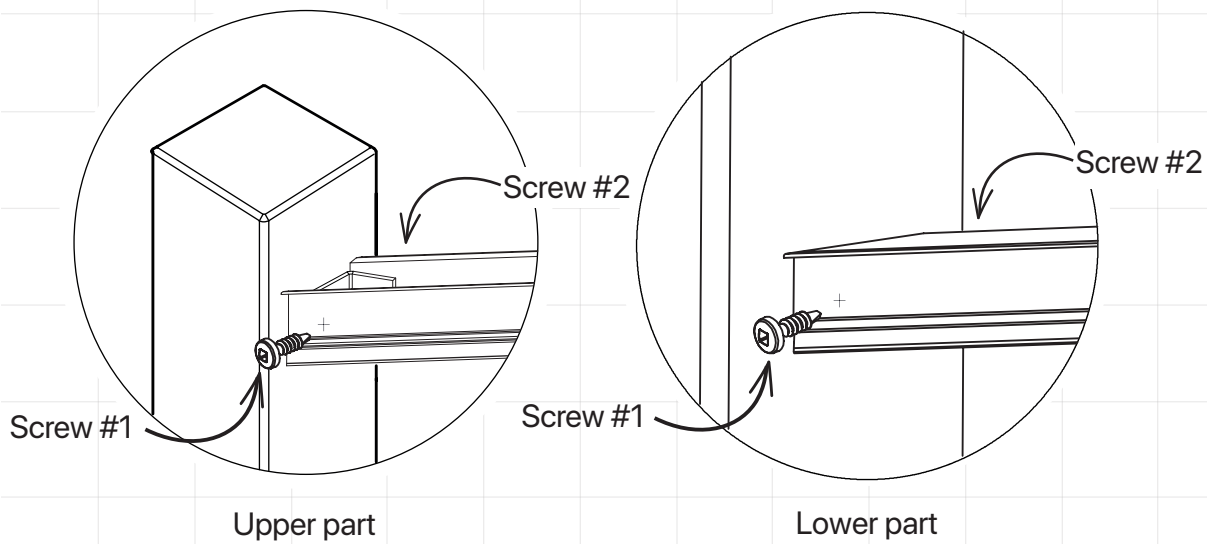
Step 12

Place the post back on the bottom step, making sure it is centered with the section. Mark a line on the post at the height of the top and bottom handrails. Then, lay the post flat and secure the notches, aligning along the marked lines.



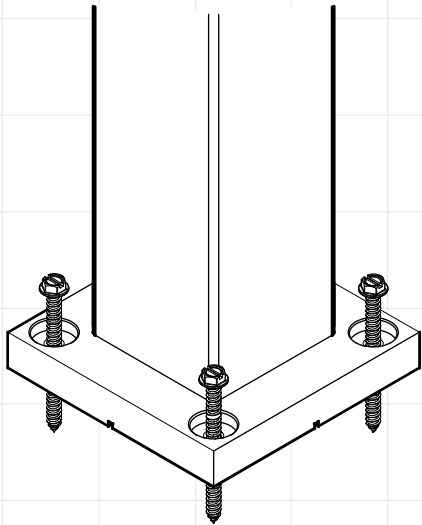
Step 13

Insert the notches into the section. Screw the top and bottom part to the notches.



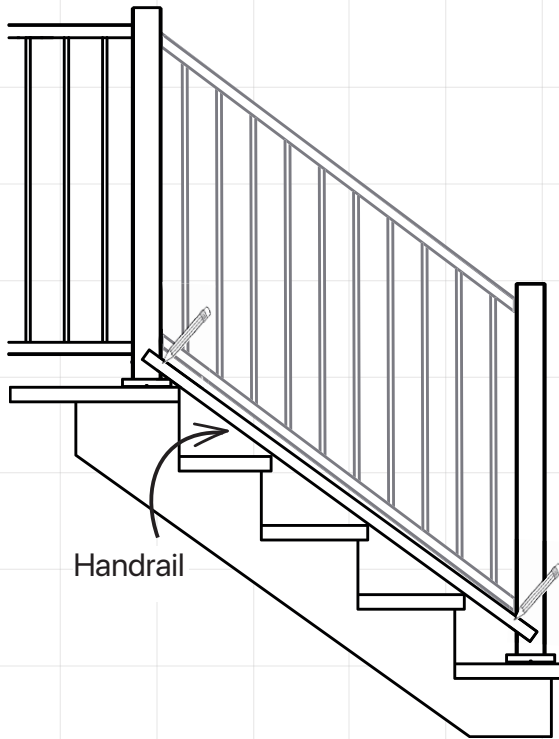
Step 14

Screw the base of the post. Refer to page 7 if you need to level your post.



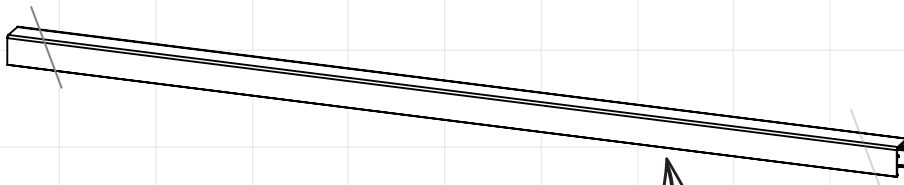
Step 15

Place a handrail on the steps. Draw guide lines on the handrail.
Repeat this step for the second handrail.



Step 16

Cut the handrails. Cut the bottom handrail $1/16''$ shorter. The gap will allow for water drainage.



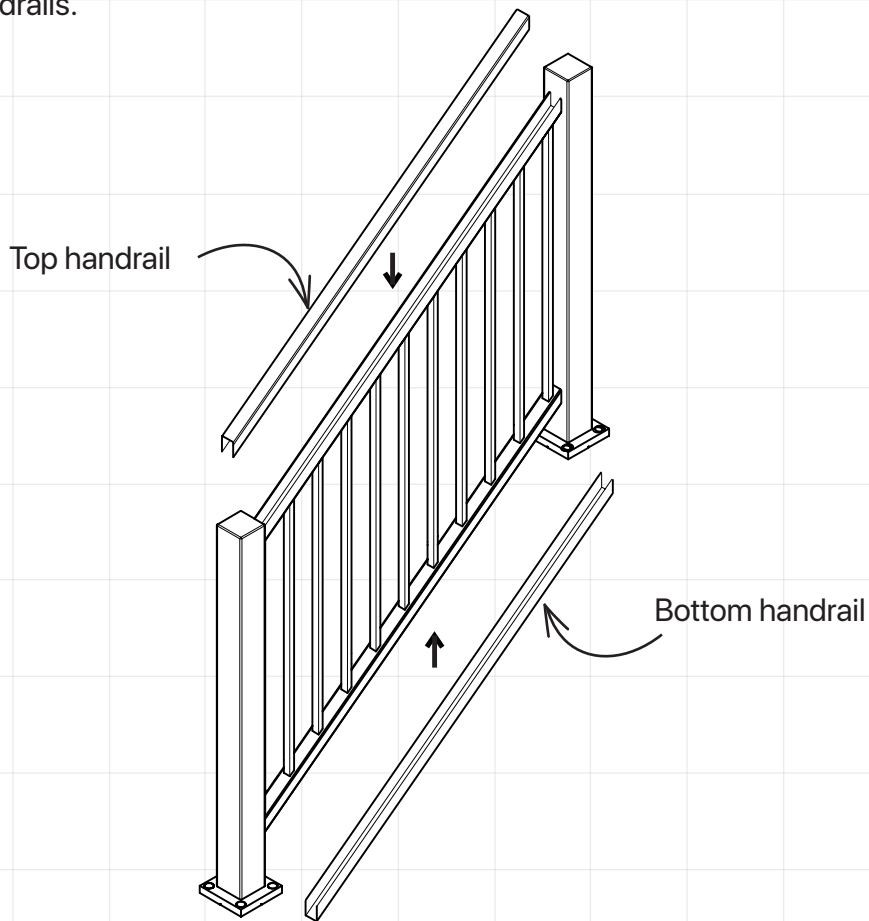
We recommend cutting the handrails slightly longer than the original dimensions. This way, you can adjust the length as needed.

IMPORTANT !

Make sure you cut your angle the right way, at each end!

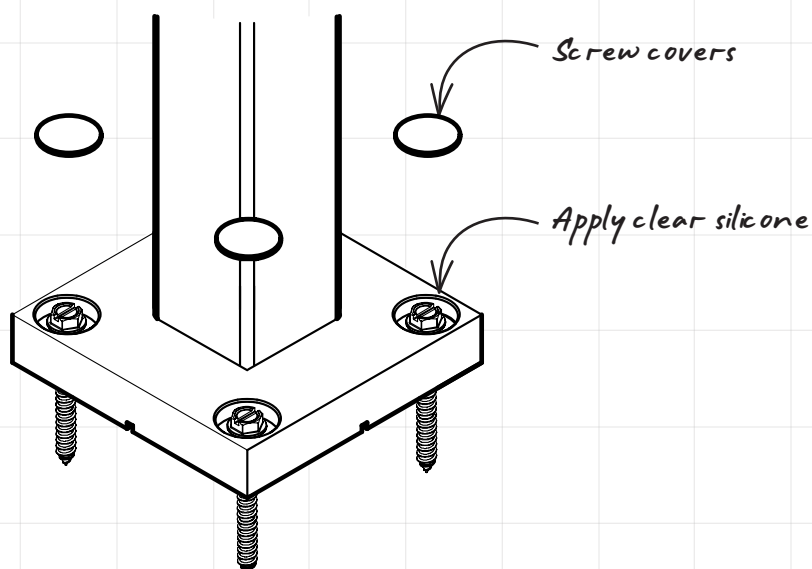
Step 17

Install the handrails.



Step 18

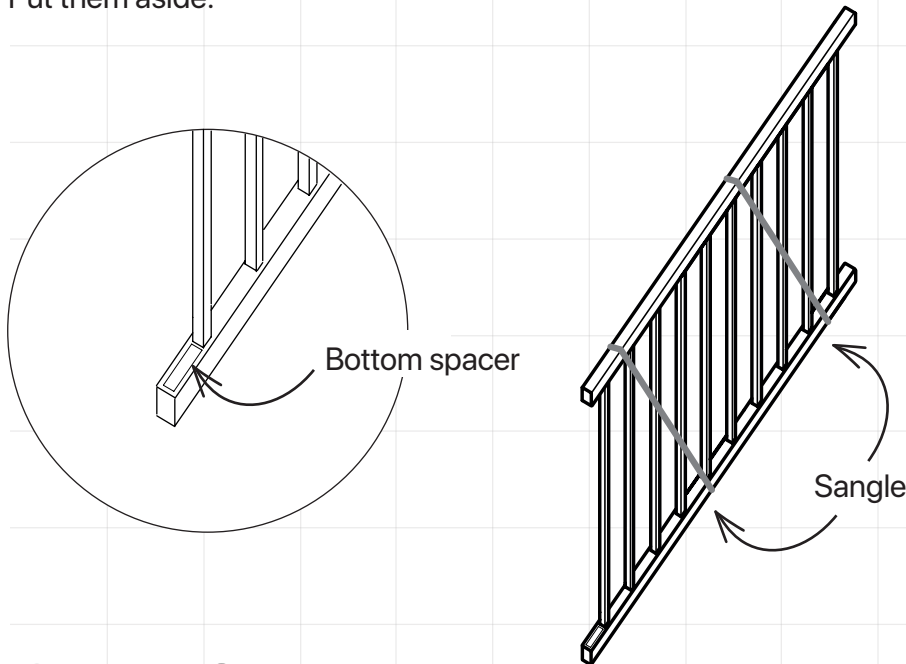
Fill the screw holes in the base with clear silicone to stick the screw covers on.



Custom made balusters stair railing installation

Step 1

Remove the 2 spacers located at the **top** and **bottom** of your railing section.
Put them aside.

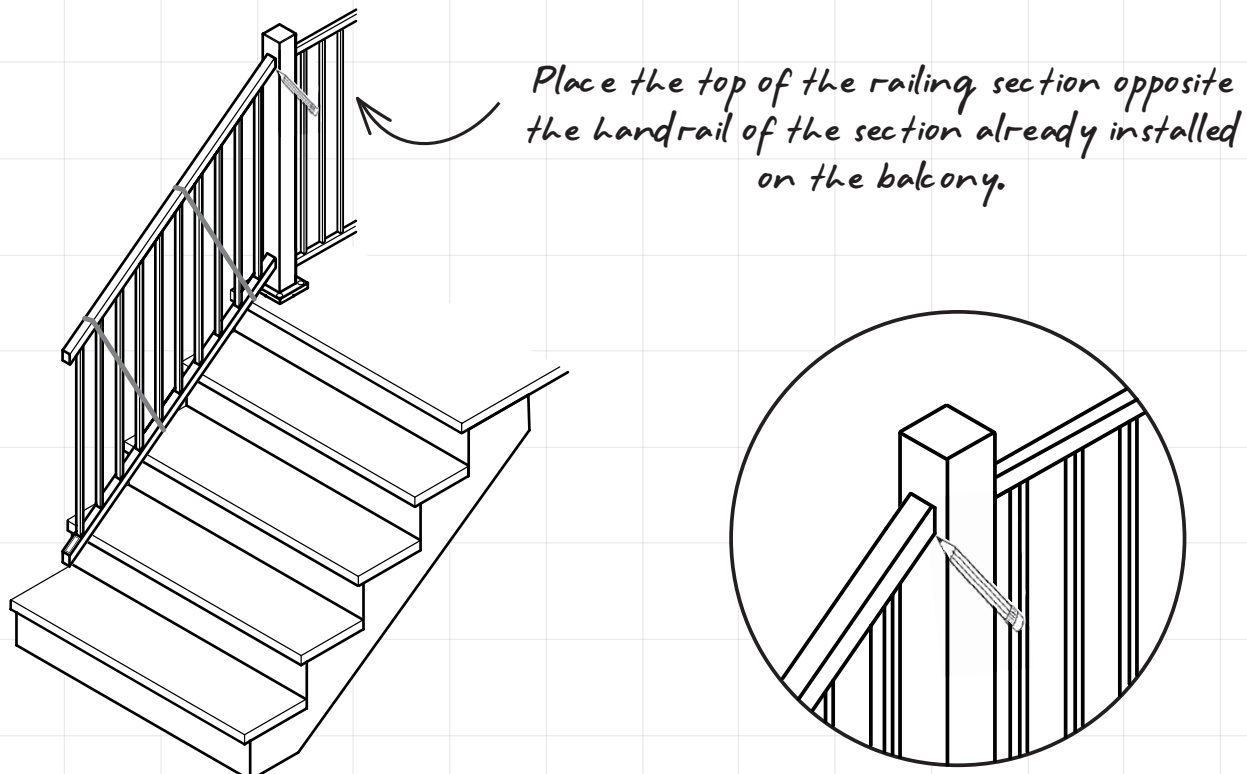


Important!

DON'T CUT THE STRAPS!
The straps are used to keep the correct angle. It's important to wait until the installation is complete before removing them.

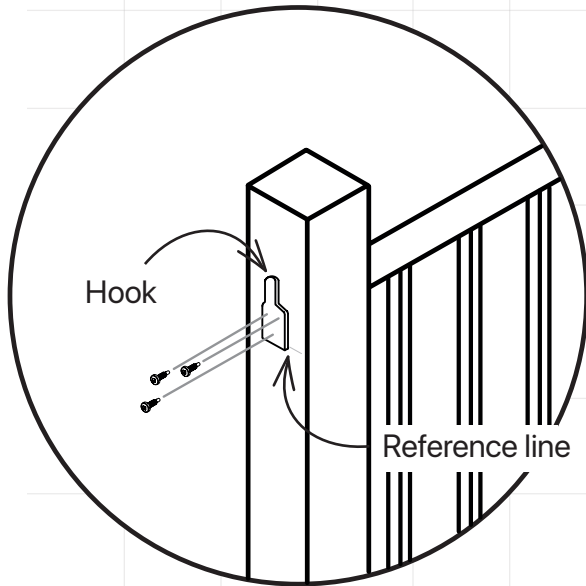
Step 2

Place the railing section on the post at the top of your steps. Draw a reference line with a pencil on the post under the handrail.



Step 3

Attach a hook to the top of your post with 3 screws. Use the line drawn in step 2 to guide your hook installation.

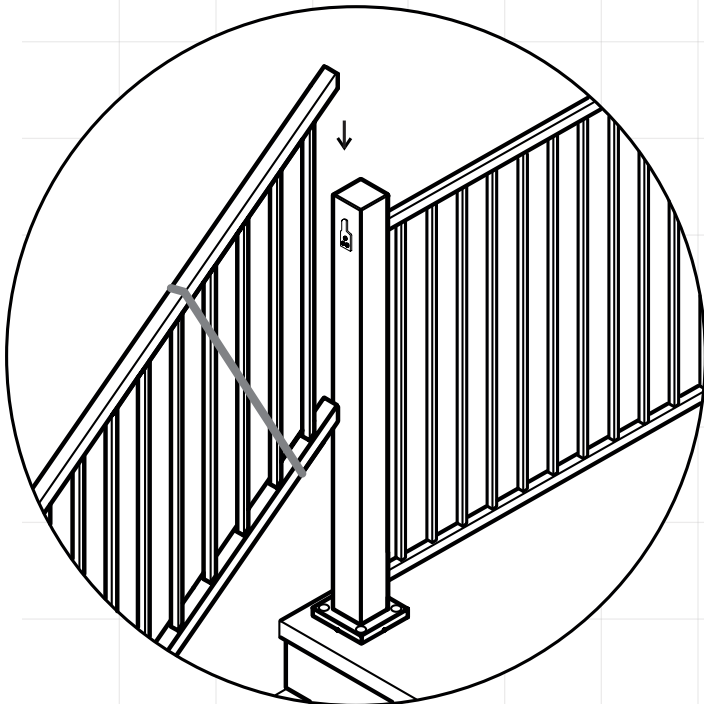


Make sure the hook is centered on the post.

Install the hook 1/8" below the reference line.

Step 4

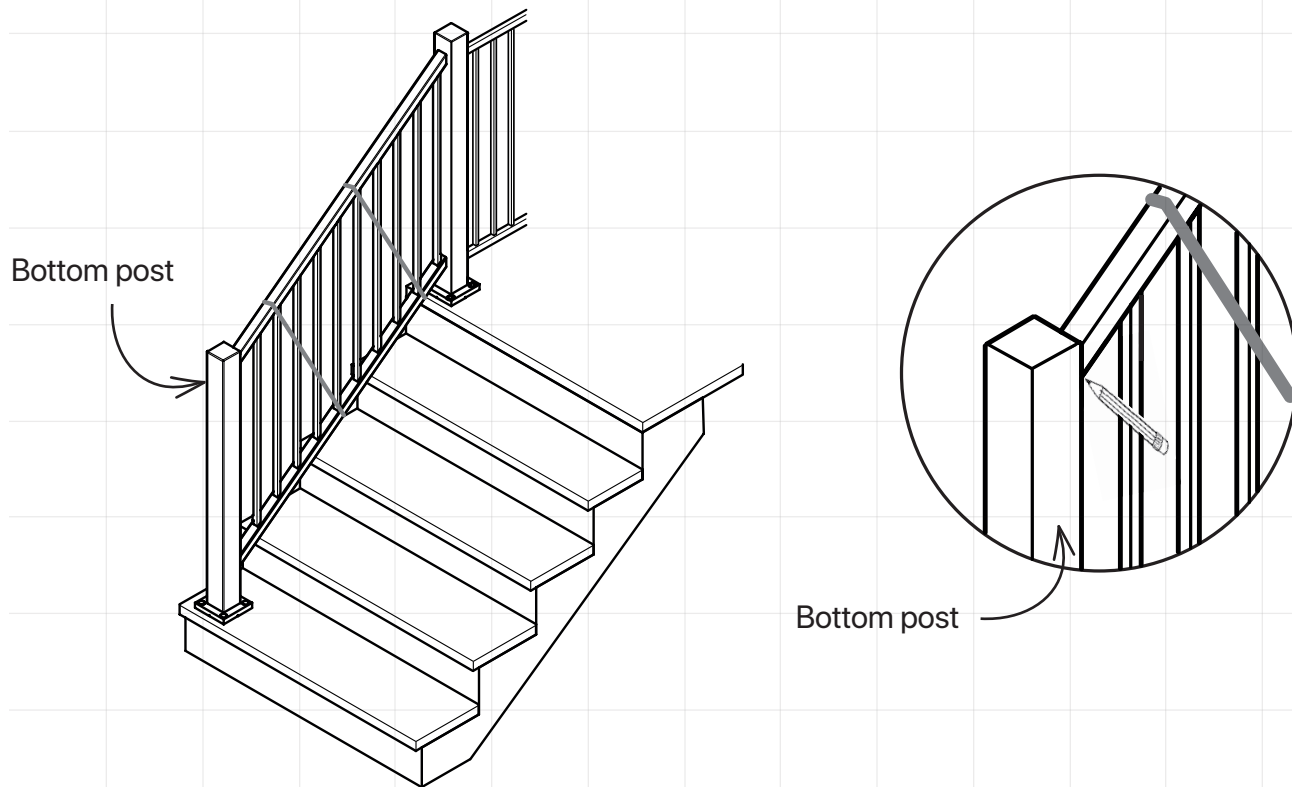
Insert the handrail into the hook.



Please insert the handrail carefully into the hook to avoid damaging the post.

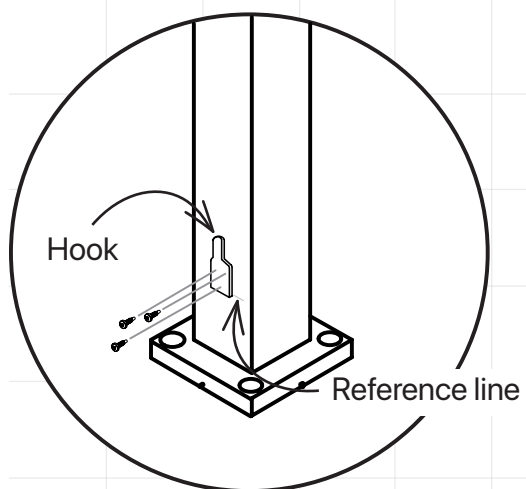
Step 5

Place your post on the last step. Make sure the post is centered with the railing section. Draw a line on the post, below the bottom handrail.



Step 6

Attach a hook to the base of your post with 3 screws. Follow the line drawn in step 5 to install the hook.



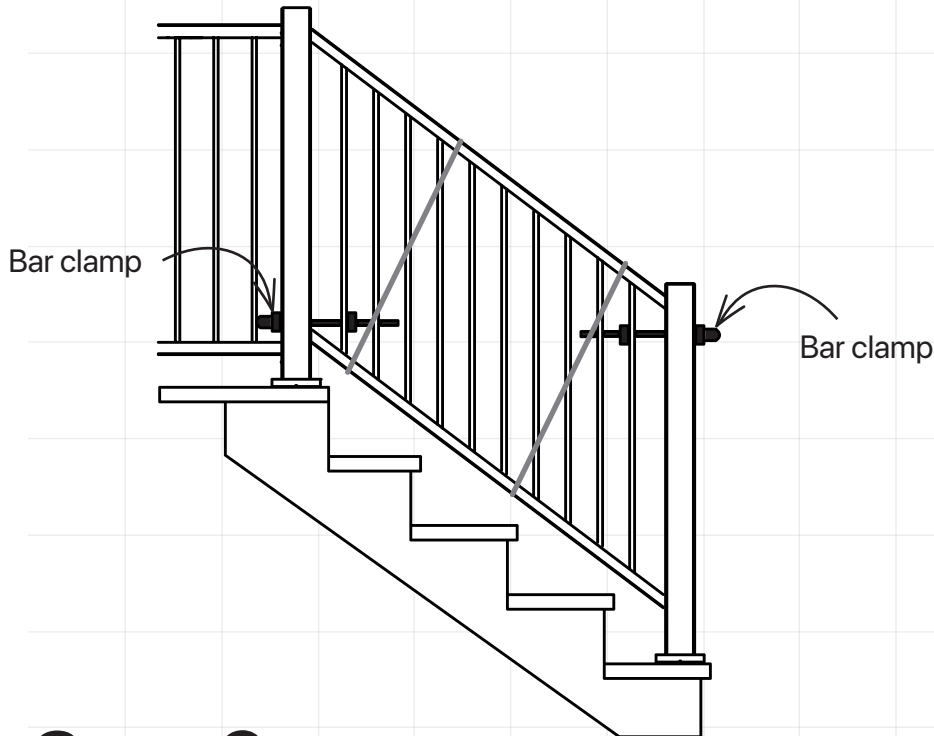
Make sure that the hook it's centered with the post.

Step 7

Insert the bottom handrail in the hook.

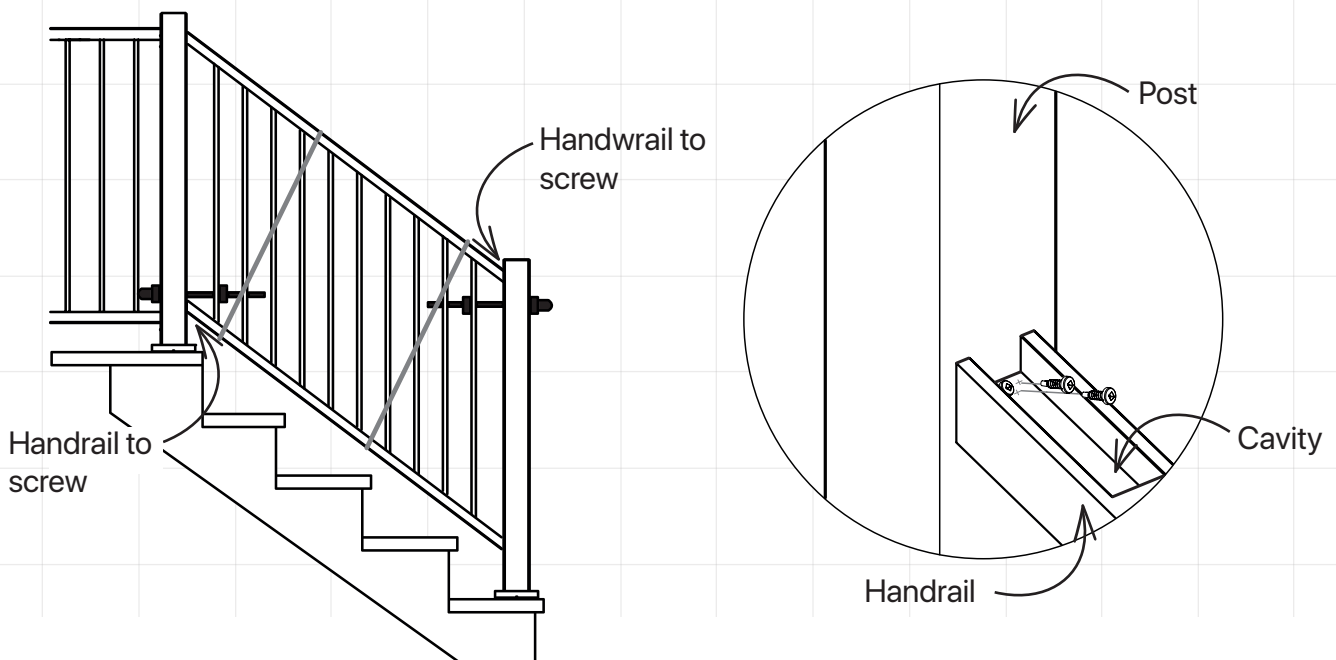
Step 8

Install the bars clamp in the **top** and the **bottom** of the railing section for that stay fix with the posts.



Step 9

Attach the **top** and **bottom** rails to the posts with 3 screws. Screw them into the cavities where you removed the spacers in step 1.



Step 10

Screw the base to the last step. For installation, refer to **steps 7, 8 and 9** on pages 7 and 8. Before screwing the base, make sure that the post is properly aligned with the top one.



Once again, refer to **step 1** on page 3 before permanently screwing your base in place.

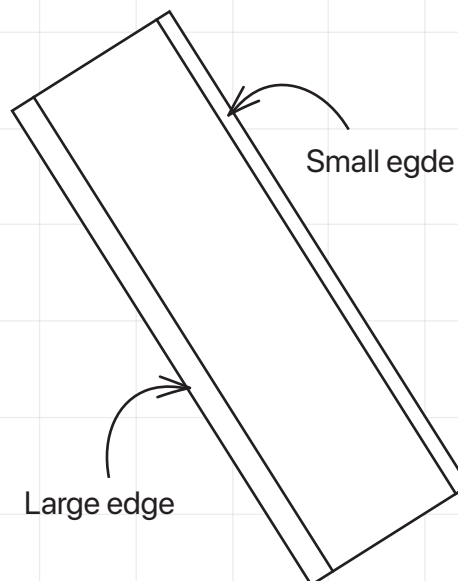
Step 11

Cut the straps and remove the bars clamp.

Step 12

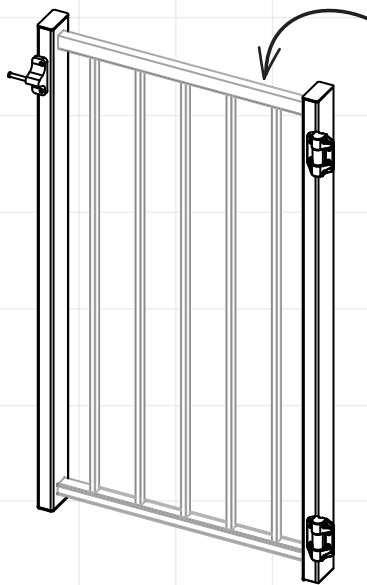
Using a screwdriver and hammer, insert the spacers into the top and bottom.

The side of the spacer with a large edge should be positioned towards the inside of the steps.



Installation guide

Door-gate



ATTENTION: Balusters section sold separately.



Required tools

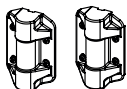
- Drill
- Square impact driver bit
- Hex impact driver bit
- 3/8" drill bit
- Tape measure
- Miter saw
- Pencil
- Wooden block of 4 3/8"

* IMPORTANT ! Do not use Impact drill.

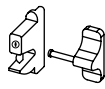
Included hardware



28 x screws



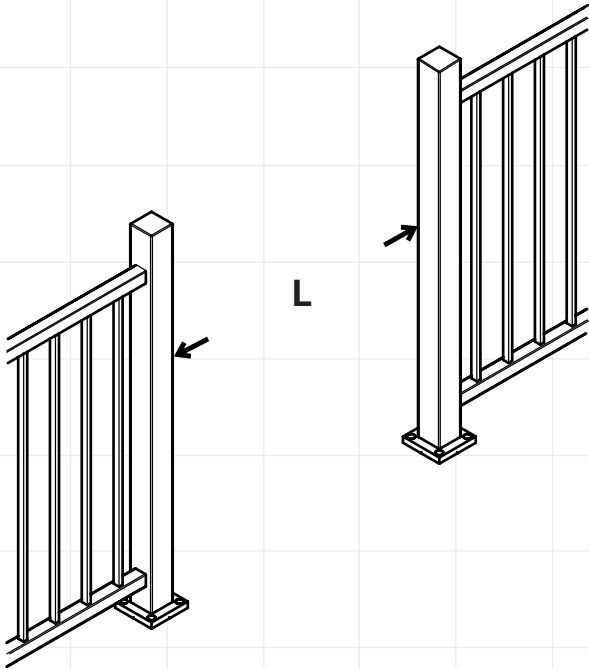
2 x hinges



Latch kit

Step 1

Measure the distance (L) between posts.



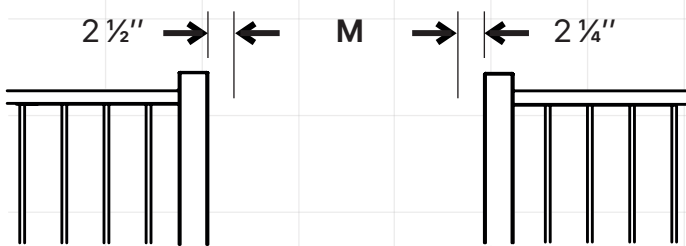
Welded tempered glass

When installing a welded glass door, allow **36"** of clearance between the posts.

Skip directly to **step 7** on page 24.

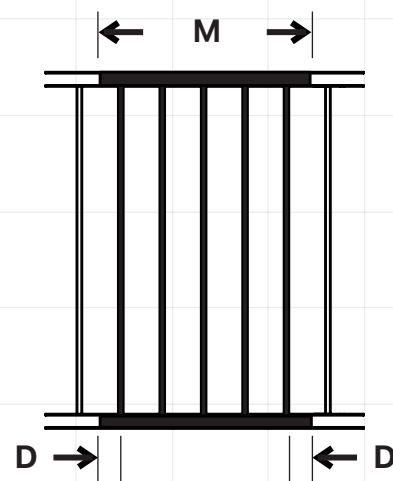
Step 2

Use the measurement (L) from step 1 and remove $4\frac{3}{4}"$. The result will give you the cutting measure (M) for your balusters section.



Step 3

Use the measurement (M) from step 2 to mark your cutting lines on your section, then cut each end with a mitter saw.



Example:

If the width between posts (L) is 45"

$$45'' - 4\frac{3}{4}'' = (\mathbf{M}) 40\frac{1}{4}''$$

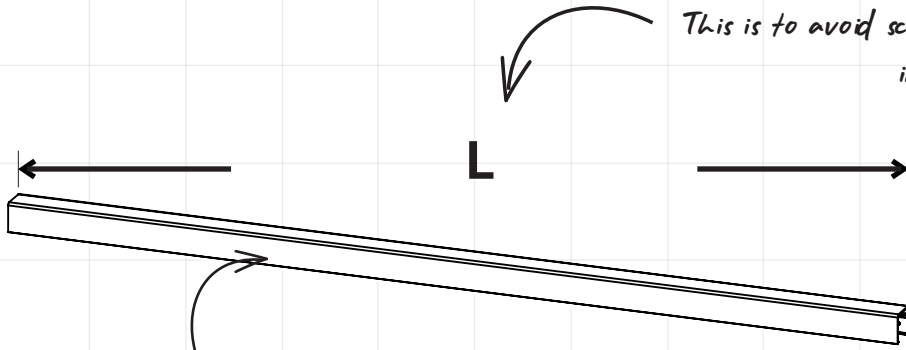
Make sure the distance (D) between the end of the railing and the first baluster is equal on both sides for a symmetrical look.

Step 4

Measure the distance (M) between posts.

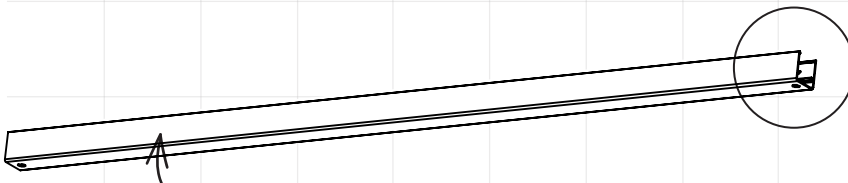
Cut your handrails 1/16" shorter than your "L" measurement in step 3.

This is to avoid scratching the posts during installation.



Top handrail

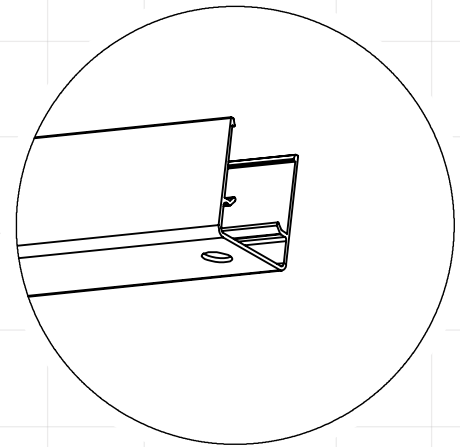
WARNING: Do not make holes!



Bottom handrail

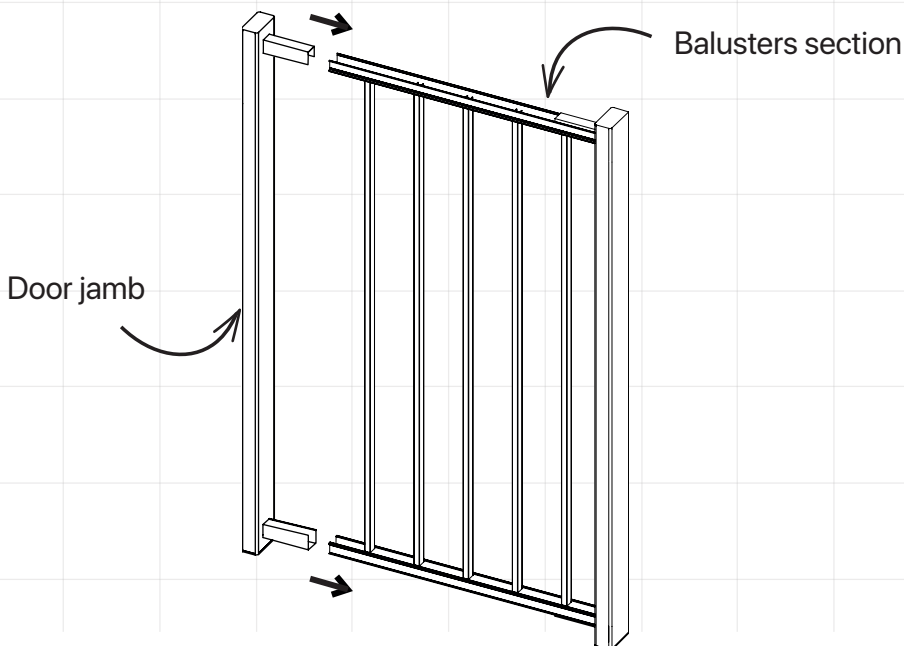
WARNING: Drill small holes at each ends!

Drill two small holes of minimum 3/8" in the bottom handrails to allow for water drainage.



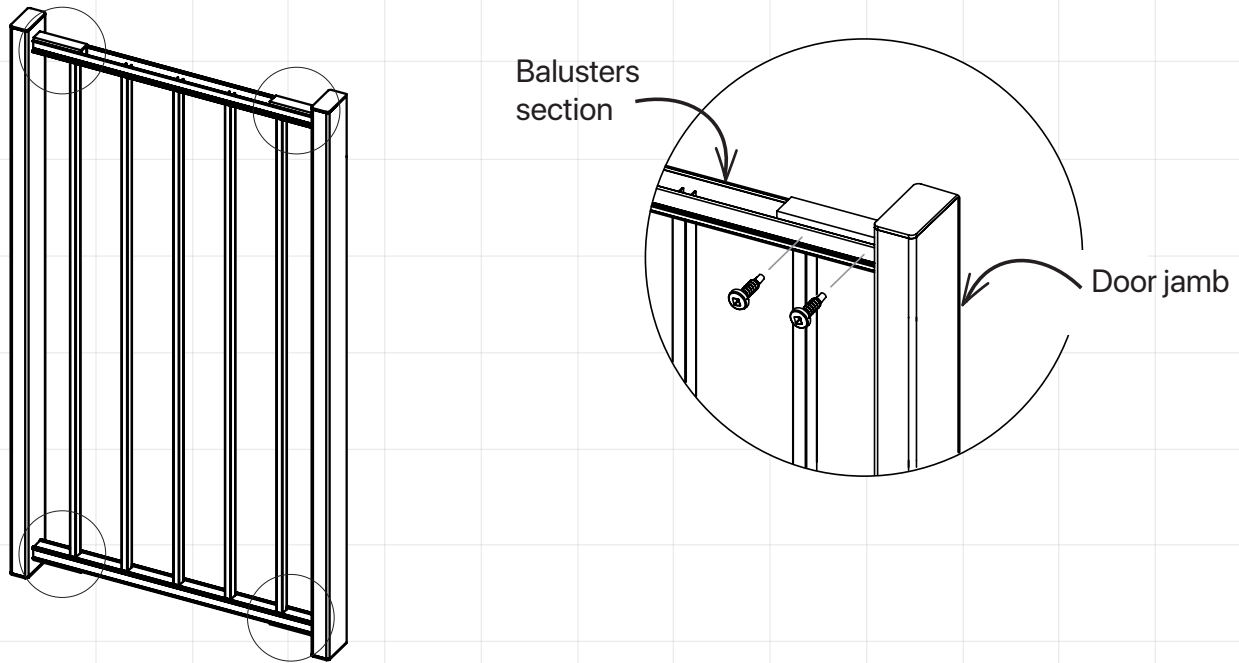
Step 5

Insert jambs each side of balusters section.



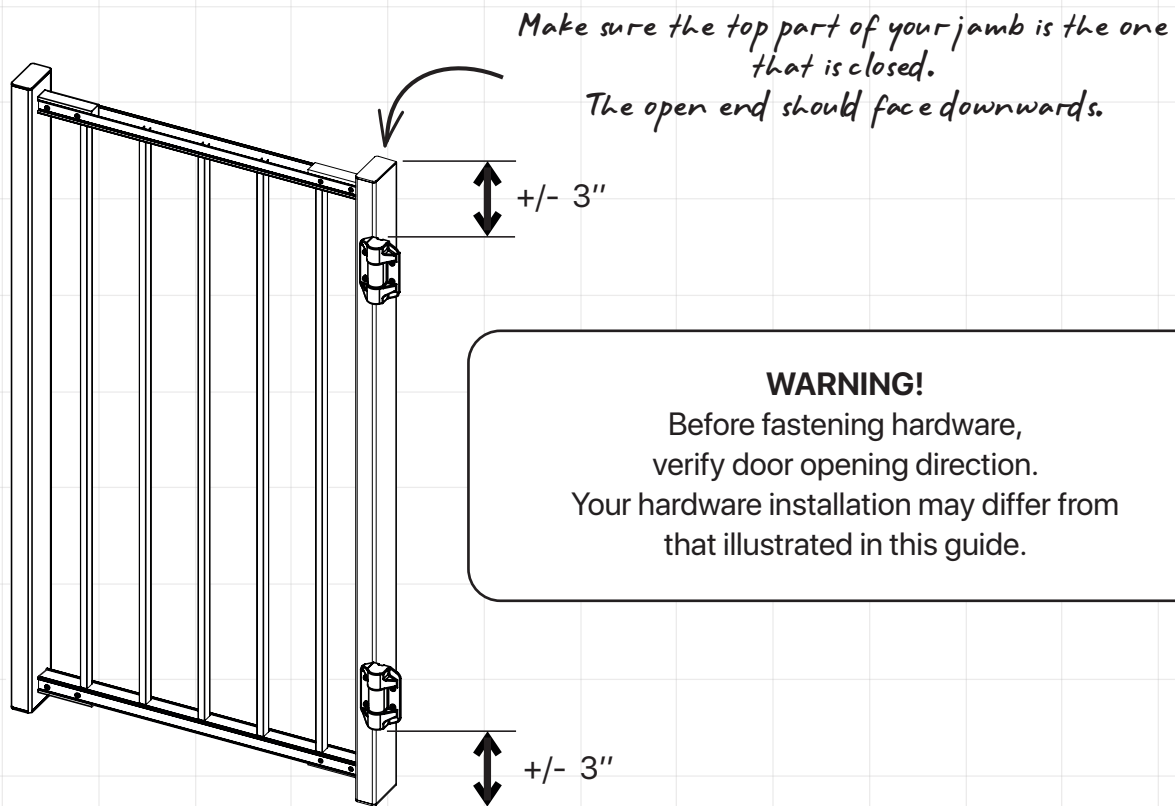
Step 6

Fasten the door jamb to the section using screws included with the balusters section.



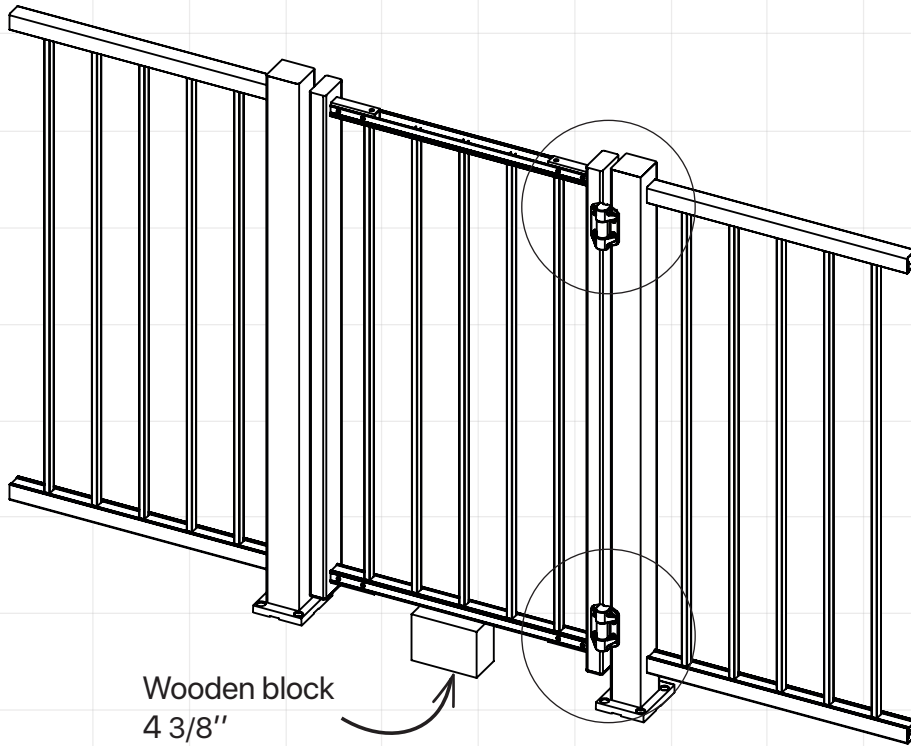
Step 7

Fasten hinges to the door jamb.



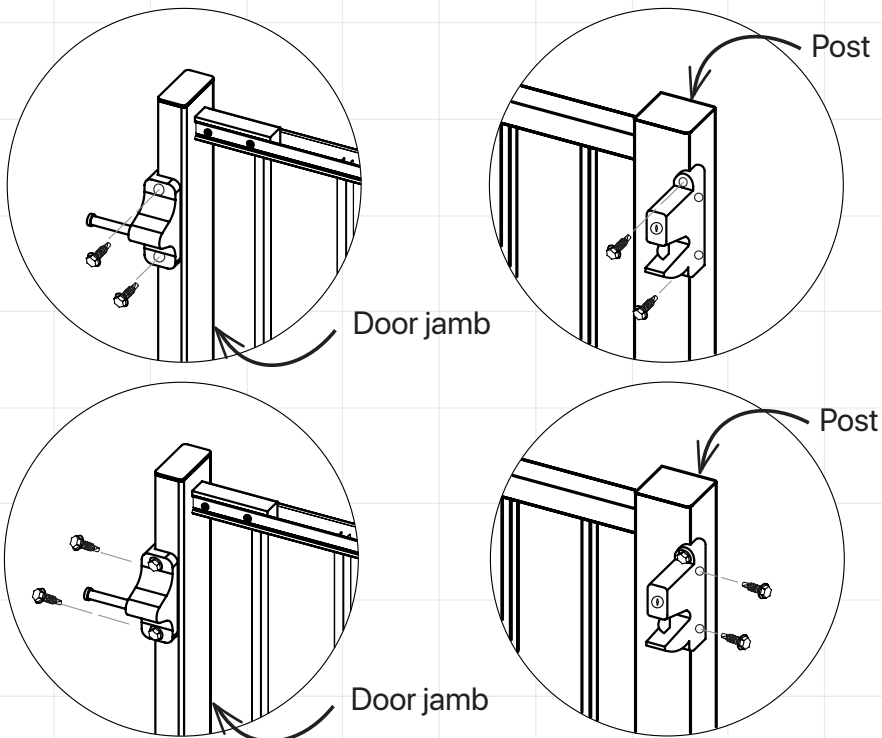
Step 8

Place the 4 3/8" wooden block under the door so that it stays in place. Screw hinges to the post.



Step 9

Fasten the latch kit to the door jamb and the post.



Step 10

Insert top and bottom handrails to the section.

